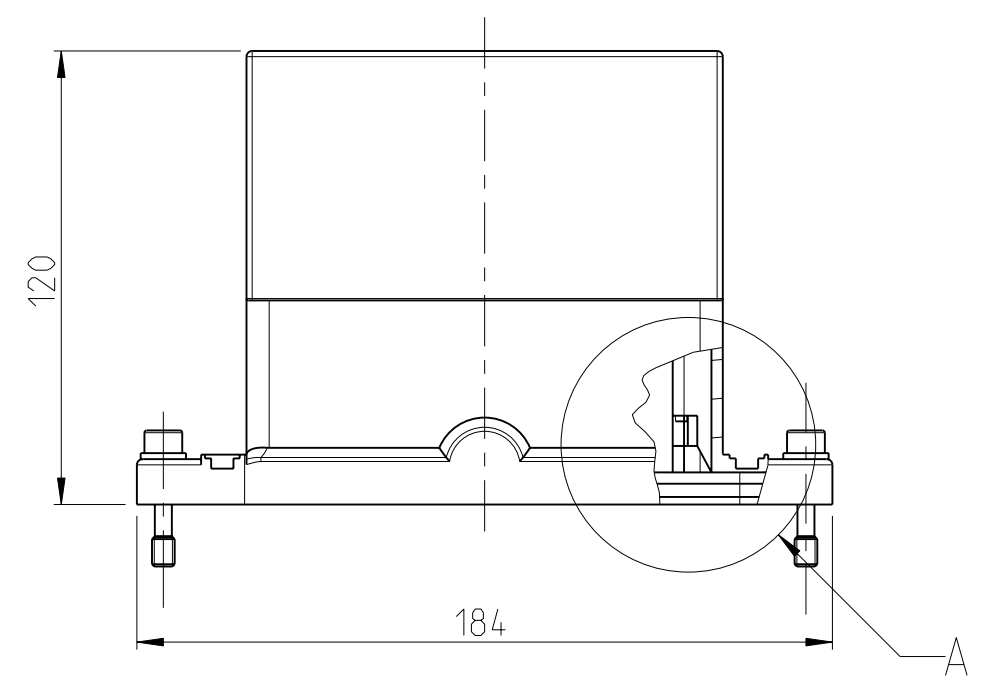
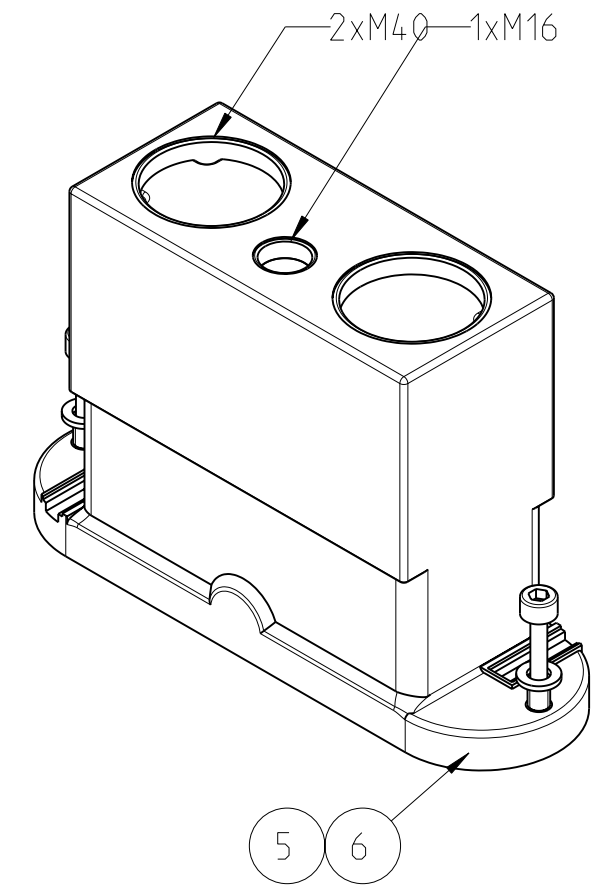
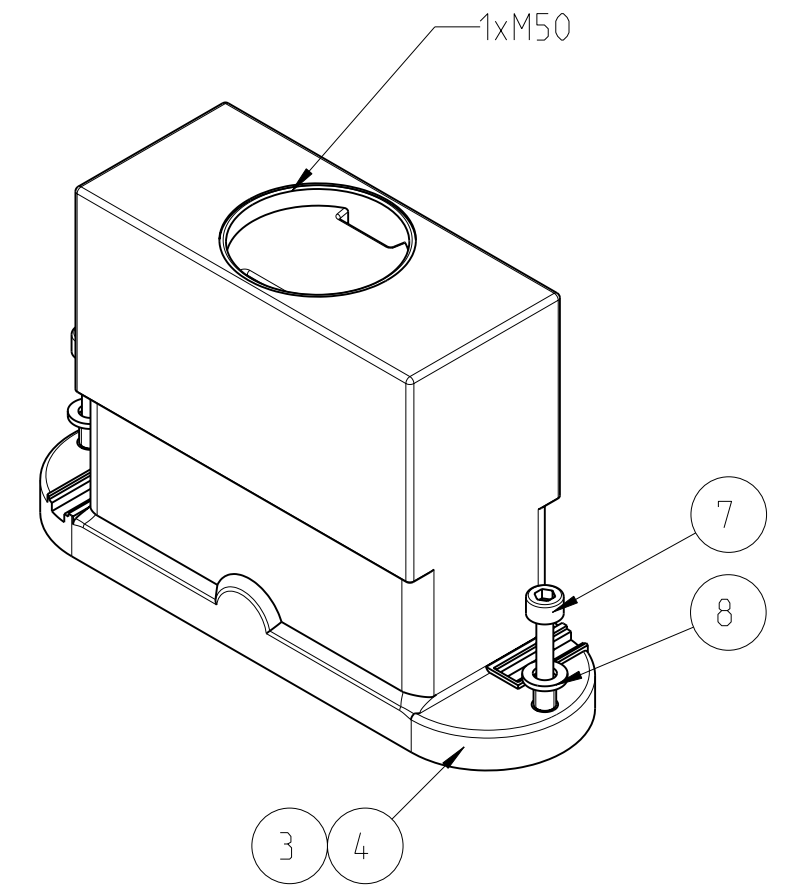
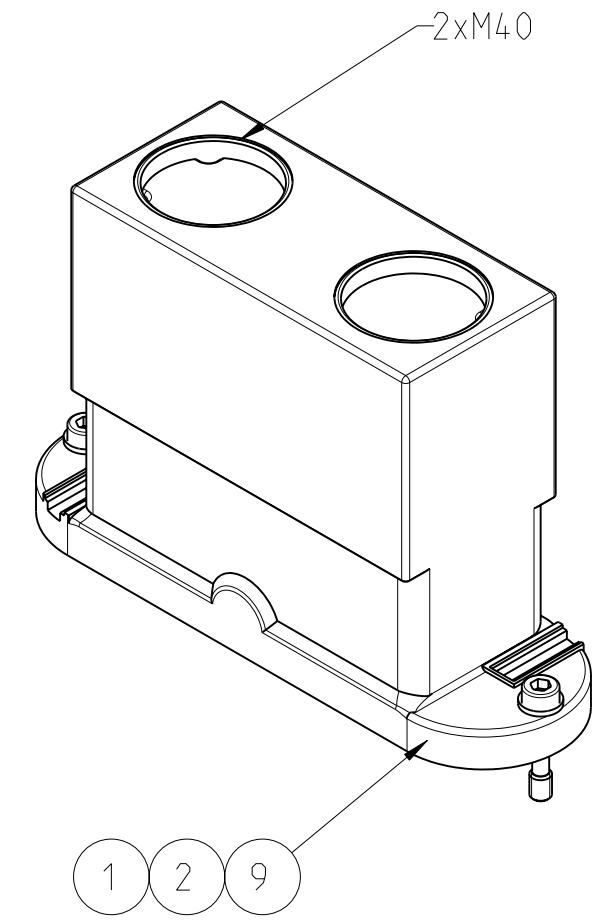
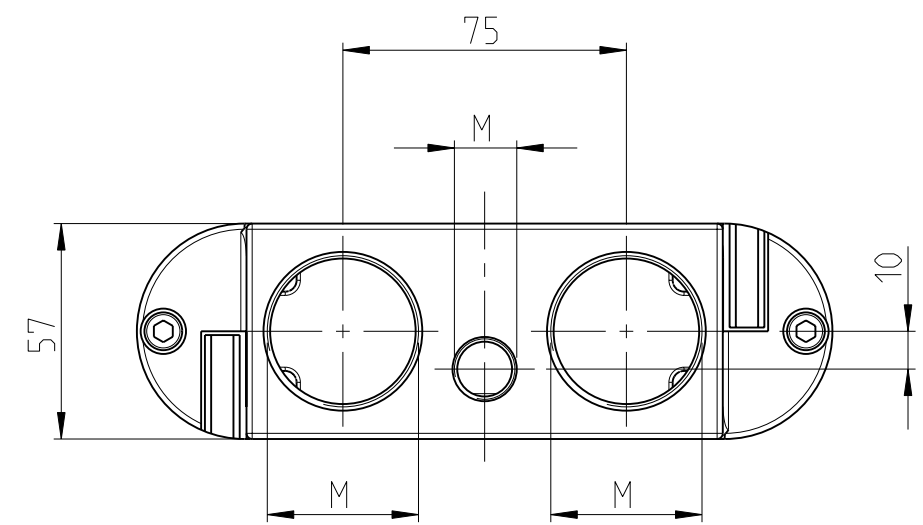
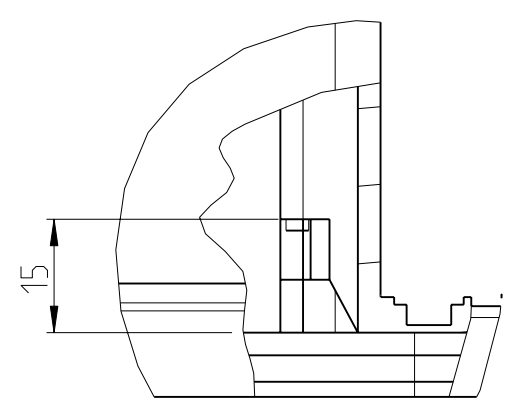


THIS DRAWING IS UNPUBLISHED. RELEASED FOR PUBLICATION 2006
 © COPYRIGHT 2006 BY TYCO ELECTRONICS CORPORATION. ALL INTERNATIONAL RIGHTS RESERVED.

LOC	DIST	REVISIONS			
P	LTR	DESCRIPTION	DATE	DWN	APVD
A1	-	B5	ECR-10-009777	24 JUN2010	GW AR



DETAIL A (1:1)
ONLY PN 0-9



1-2	1-1	0-9	0-6	0-5	0-4	0-3	0-2	0-1	DESCRIPTION	MATERIAL	SURFACE	COLOR	NOTE	ITEM
									CONNECTOR HOUSING HIP-EMV-HF	ALU	CHROMIT AL TCP PASSIVATION	BLACK	WITHOUT LOGO / THREAD	13
									CONNECTOR HOUSING HIP-HF	ALU	HARD-COAT	BLACK	WITHOUT LOGO / THREAD	12
									CONNECTOR HOUSING EMV-K	ALU	CHROMIT AL TCP PASSIVATION	BLACK	2xM40	11
2	2	2	2	2	2	2	2	2	PANE	STAINL. STEEL	VA	SILVER	B6.4	8
2	2	2	2	2	2	2	2	2	SCREW	STAINL. STEEL	VA	SILVER	DIN EN ISO 4762-M6x30	7
			1						CONNECTOR HOUSING HIP-HF	ALU	HARD COAT	BLACK	2xM40+1xM16	6
				1					CONNECTOR HOUSING EMV-HF	ALU	CHROMIT AL TCP PASSIVATION	BLACK	2xM40+1xM16	5
					1				CONNECTOR HOUSING HIP-HF	ALU	HARD COAT	BLACK	1xM50	4
						1			CONNECTOR HOUSING EMV-HF	ALU	CHROMIT AL TCP PASSIVATION	BLACK	1xM50	3
							1		CONNECTOR HOUSING HIP-HF	ALU	HARD COAT	BLACK	2xM40	2
								1	CONNECTOR HOUSING EMV-HF	ALU	CHROMIT AL TCP PASSIVATION	BLACK	2xM40	1

- NOTES
- 1 PN 0-9 ONLY BE USED WITH HF 8 CONTACTS AND ACCESSOIRES
 - 2 PACKAGING: 5 PIECES IN A CARTON

THIS DRAWING IS A CONTROLLED DOCUMENT FOR TYCO ELECTRONICS CORPORATION IT IS SUBJECT TO CHANGE AND THE CONTROLLING ENGINEERING ORGANIZATION SHOULD BE CONTACTED FOR THE LATEST REVISION.

DWN: G.WROBLEWSKI 24 JUN2010
 CHK: A.ROESGEN 24 JUN2010
 APVD: T.SCHNURPEIL 24 JUN2010

Product Spec: 108-74030
 Application Spec: 114-74036
 Weight: 0.683

Customer Drawing

tyco Electronics
 tyco Electronics AMP GmbH
 53757 Sankt Augustin (Germany)

NAME: HOOD
 SERIES HF, SIZE 8

SIZE: A2
 CAGE CODE: 00779
 DRAWING NO: C=1102839
 RESTRICTED TO: -

SCALE: 1:1
 SHEET: 1 OF 1
 REV: B5