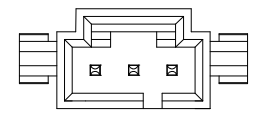
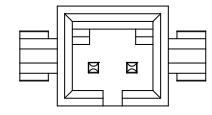
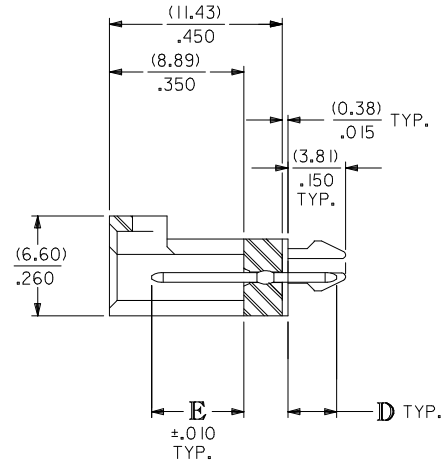
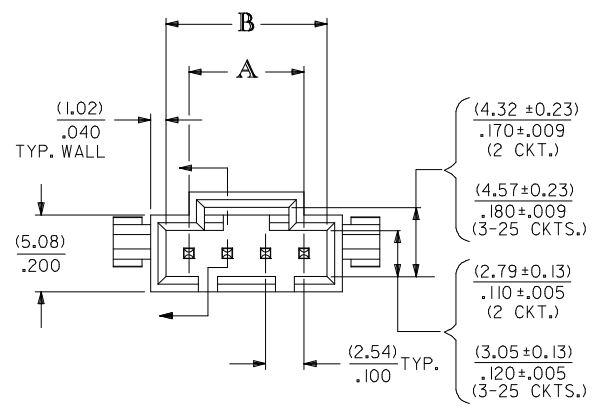


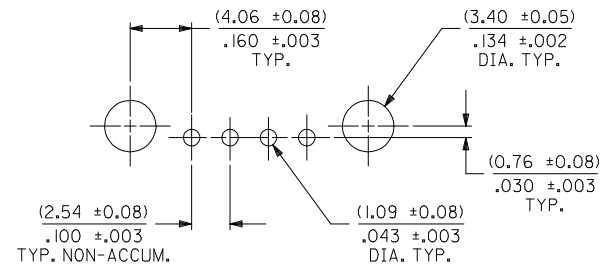
CKT. SIZE	DIM. "A"		DIM. "B"	
	MM	IN.	MM	IN.
2	2.54	.100	5.33	.210
3	5.08	.200	8.13	.320
4	7.62	.300	10.67	.420
5	10.16	.400	13.21	.520
6	12.70	.500	15.75	.620
7	15.24	.600	18.29	.720
8	17.78	.700	20.83	.820
9	20.32	.800	23.37	.920
10	22.86	.900	25.91	1.020



- NOTES:
 1. MATERIAL:
 HOUSING: GLASS FILLED POLYESTER; UL94V-0
 COLOR: BLACK.
 PIN MATERIAL: PHOSPHOR BRONZE.
 2. HEADER TO BE USED WITH OPTION "G" 70400 AND 70430 SERIES SL CONNECTORS.
 3. REFER TO MOLEX PRODUCT SPECIFICATION PS-70541.
 4. STANDARD PACKAGING PER PK-70873-0014.

PLATING:

- TIN - .000150 MINIMUM TIN PLATE OVER .000050 MINIMUM NICKEL PLATE.
- 15 GOLD - .000015 MINIMUM GOLD PLATE IN SELECT AREA, .000075 MINIMUM TIN PLATE IN SELECT AREA, OVER .000050 MINIMUM NICKEL PLATE OVERALL.
- 30 GOLD - .000030 MINIMUM GOLD PLATE IN SELECT AREA, .000075 MINIMUM TIN PLATE IN SELECT AREA, OVER .000050 MINIMUM NICKEL PLATE OVERALL.



RECOMMENDED PC BOARD LAYOUT

(FOR USE WITH (1.57)/.062 THICK BOARD)

REMOVE DIM. H, K & NOTE 5 EC NO: UCP2016-0427 DRWNS:VANG01 2015/07/30 CHKD:DMORGAN 2015/07/30 APPR:SMILLER 2016/02/19	QUALITY SYMBOLS	GENERAL TOLERANCES (UNLESS SPECIFIED)	DIMENSION STYLE	SCALE	DESIGN UNITS	THIRD ANGLE PROJECTION
	▽=0	mm INCH	MM/IN	INCH	INCH	
	▽=0	4 PLACES ± --- ± ---	DRAWN BY DATE	TITLE		
	▽=0	3 PLACES ± --- ± .005	CHECKED BY DATE			
		2 PLACES ± 0.13 ± .01	APPROVED BY DATE			
		1 PLACE ± 0.25 ± ---	SMILLER 2013/07/22			
		0 PLACE ± --- ± ---	MATERIAL NO.	DOCUMENT NO.		
		ANGULAR ±1/2°	SEE TABLE			
		DRAFT WHERE APPLICABLE MUST REMAIN WITHIN DIMENSIONS	SIZE C	THIS DRAWING CONTAINS INFORMATION THAT IS PROPRIETARY TO MOLEX INCORPORATED AND SHOULD NOT BE USED WITHOUT WRITTEN PERMISSION		

SALES ASSY, SL VERTICAL
 HEADER W/LATCH & SPLIT
 PEGS (2.54)/.100 CENTERS

molex

SD-70541-001
 1 OF 2

CIRCUIT SIZE	ASSEMBLY ITEM NUMBER	ASSEMBLY ITEM NUMBER	ASSEMBLY ITEM NUMBER	ASSEMBLY ITEM NUMBER	ASSEMBLY ITEM NUMBER	ASSEMBLY ITEM NUMBER	ASSEMBLY ITEM NUMBER	D REF.	E ± .010	MATING AREA FINISH	PC TAIL AREA FINISH
2-10								(3.30) .130	(6.10) .240	TIN	TIN
11-25								(3.30) .130	(6.10) .240	TIN	TIN
2-10	-9036-9044							(3.30) .130	(6.10) .240	15 GOLD	TIN
11-25								(3.30) .130	(6.10) .240	15 GOLD	TIN
2-10								(3.30) .130	(6.10) .240	30 GOLD	TIN
11-25								(3.30) .130	(6.10) .240	30 GOLD	TIN
								(3.30) .130	(6.10) .240	30 GOLD	TIN
6-10	-9075-9079							(3.30) .130	(6.10) .240	30 GOLD	TIN
2-10								(3.30) .130	(6.10) .240	TIN	TIN
								(3.30) .130	(6.10) .240	TIN	TIN
CIRCUIT SIZE	ASSEMBLY ITEM NUMBER	ASSEMBLY ITEM NUMBER	ASSEMBLY ITEM NUMBER	ASSEMBLY ITEM NUMBER	ASSEMBLY ITEM NUMBER	ASSEMBLY ITEM NUMBER	ASSEMBLY ITEM NUMBER	ASSEMBLY ITEM NUMBER	ASSEMBLY ITEM NUMBER	ASSEMBLY ITEM NUMBER	ASSEMBLY ITEM NUMBER
2			70541-9036								
3											
4			70541-9038								
5			70541-9039								
6			70541-9040	70541-9075							
7			70541-9041								
8			70541-9042	70541-9077							
9			70541-9043								
10			70541-9044	70541-9079							
11											
12											
13											
14											
15											
16											
17											
18											
19											
20											
21											
22											
23											
24											
25											

X IN COLUMN UNDER *ASSEMBLY ITEM NUMBER * HEADING DENOTES TOOLING NOT AVAILABLE

SEE SHEET 1 EC NO: UCP2016-0427 DRWNSVANG01 2015/07/30 CHKDJMORGAN 2015/07/30 APPR:SMILLER 2016/02/19	QUALITY SYMBOLS 	GENERAL TOLERANCES (UNLESS SPECIFIED)		DIMENSION STYLE MM/IN		SCALE	DESIGN UNITS INCH	THIRD ANGLE PROJECTION	
						DRAWN BY	DATE		TITLE
		4 PLACES ± --- ± ---		RKA		04/07/15	SALES ASSY, SL VERTICAL HEADER W/LATCH & SPLIT PEGS (2.54)/.100 CENTERS		
		3 PLACES ± --- ± .005		CHECKED BY		DATE			
2 PLACES ± 0.13 ± .01		BB		04/07/15					
1 PLACE ± 0.25 ± ---		APPROVED BY		DATE					
0 PLACE ± --- ± ---		SMILLER		2013/07/22					
ANGULAR ±1/2°		MATERIAL NO.		DOCUMENT NO.		SHEET NO.			
DRAFT WHERE APPLICABLE MUST REMAIN WITHIN DIMENSIONS		SEE TABLE		SD-70541-001		2 OF 2			
THIS DRAWING CONTAINS INFORMATION THAT IS PROPRIETARY TO MOLEX INCORPORATED AND SHOULD NOT BE USED WITHOUT WRITTEN PERMISSION									

		13	12	11	10	9	8	7	6	5	4	3	2	1
J	CIRCUIT SIZE	ASSEMBLY ITEM NUMBER 70541	MANUFACTURE RELEASE STATUS				D REF.	E ± .010	CONNECTOR END PLATING		P.C. BOARD END PLATING			
									TYPE	H MEAS.	TYPE	K MEAS.		
	2-10		R.F.M.				(3.30)	(6.10)	TIN	(2.54)	TIN	(1.27)		
	11-25						.130	.240		.100		.050		
I	2-10	-9036-9044	R.F.M.				(3.30)	(6.10)	15 GOLD	(2.54)	TIN	(1.27)		
	11-25						.130	.240		.100		.050		
H	2-10		R.F.M.				(3.30)	(6.10)	30 GOLD	(2.54)	TIN	(1.27)		
	11-25						.130	.240		.100		.050		
G	6-10	-9075-9079	R.F.M.				(3.30)	(6.10)	30 GOLD	(2.54)	TIN	(1.27)		
	2-10		R.F.M.				.130	.240	TIN	.100	TIN	.050		

F	CIRCUIT SIZE	ASSEMBLY ITEM NUMBER	ASSEMBLY ITEM NUMBER	ASSEMBLY ITEM NUMBER	ASSEMBLY ITEM NUMBER	ASSEMBLY ITEM NUMBER	ASSEMBLY ITEM NUMBER
	2		70541-9036				
	3						
	4		70541-9038				
	5		70541-9039				
	6		70541-9040	70541-9075			
E	7		70541-9041				
	8		70541-9042	70541-9077			
	9		70541-9043				
	10		70541-9044	70541-9079			
	11						
	12						
	13						
D	14						
	15						
	16						
	17						
C	18						
	19						
	20						
	21						
	22						
	23						
	24						
	25						

X IN COLUMN UNDER 'ASSEMBLY ITEM NUMBER' HEADING DENOTES TOOLING NOT AVAILABLE

ADD -9039,-9040,-9044
 EC NO: UCP2006-0364
 DRAWNSWART 2005/12/12
 CHKD:BBARKER 2005/12/19
 APPR:SMILLER 2005/12/19
 REVISIONS

QUALITY SYMBOLS
 ▽=0
 ▽=0

GENERAL TOLERANCES (UNLESS SPECIFIED)

	mm	INCH
4 PLACES	± .005	± .0005
3 PLACES	± .005	± .0005
2 PLACES	± 0.13	± .01
1 PLACE	± 0.25	± .01

ANGULAR ±1/2°

DRAFT WHERE APPLICABLE MUST REMAIN WITHIN DIMENSIONS

DIMENSION STYLE
 MM/IN

DRAWN BY RKA DATE 04/07/15
 CHECKED BY BB DATE 04/07/15
 APPROVED BY SM DATE 04/07/23

MATERIAL NO. SEE TABLE

SCALE ---
 DESIGN UNITS INCH
 THIRD ANGLE PROJECTION

HEADER STRAIGHT MOUNT
 .100 GRID S.L.

MOLEX INCORPORATED

DOCUMENT NO. SD-70541-001
 SHEET NO. 2 OF 2

THIS DRAWING CONTAINS INFORMATION THAT IS PROPRIETARY TO MOLEX INCORPORATED AND SHOULD NOT BE USED WITHOUT WRITTEN PERMISSION