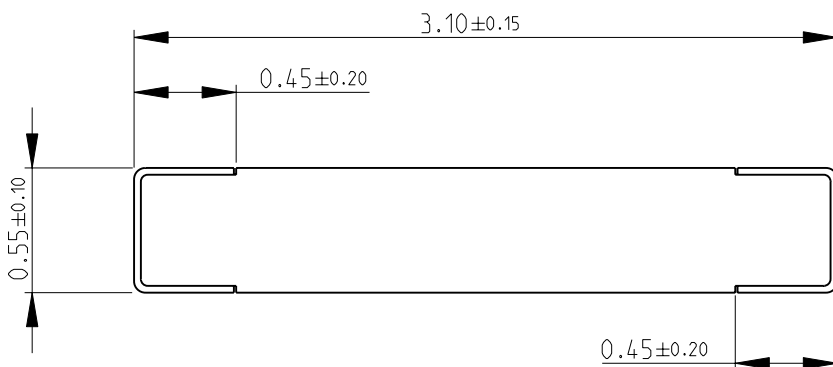
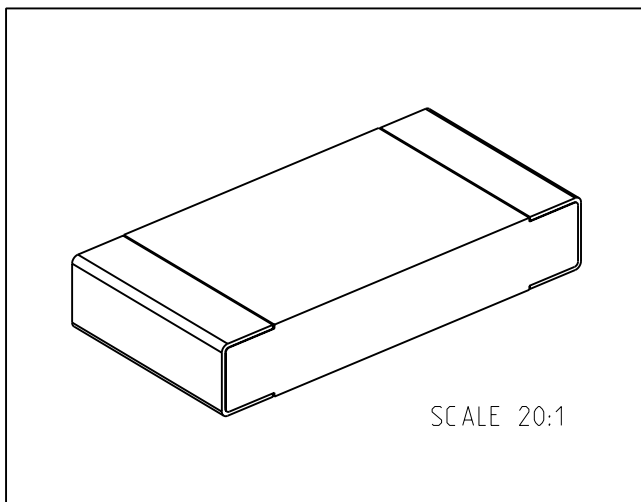


LOC	DIST	REVISIONS					
E	B	P	LTR	DESCRIPTION	DATE	DWN	APVD
			BA	NEW RELEASE	30-NOV-09	MRS	St.P

FOR FURTHER INFORMATION SEE DATA SHEET FOR  
CRG SERIES-THICK FILM CHIP RESISTORS



RoHS Compliant



2009

RELEASED FOR PUBLICATION

© COPYRIGHT 2009 BY TYCO ELECTRONICS CORPORATION. ALL RIGHTS RESERVED.

THIS DRAWING IS UNPUBLISHED.

DIMENSIONS:		DWN	30-NOV-09	MATERIAL	FINISH	
mm		MAHARUDRA		-	-	
TOLERANCES UNLESS OTHERWISE SPECIFIED:		CHK	30-NOV-09	Tyco Electronics Corporation Dorcan, Swindon, SN3 5HH		
0 PLC ±0.5		ALLAN.P				
1 PLC ±0.2		APVD	30-NOV-09			
2 PLC ±0.1		STEPHEN.P		NAME THICK FILM CHIP RESISTORS		
3 PLC ±-		PRODUCT SPEC		SERIES CRG 1206		
4 PLC ±-		APPLICATION SPEC		SIZE	CAGE CODE	DRAWING NO
ANGLES ±5°				A 4	00779	© = 1623555
		WEIGHT		RESTRICTED TO		-
CUSTOMER DRAWING				SCALE	30:1	SHEET 1 OF 1
						REV BA