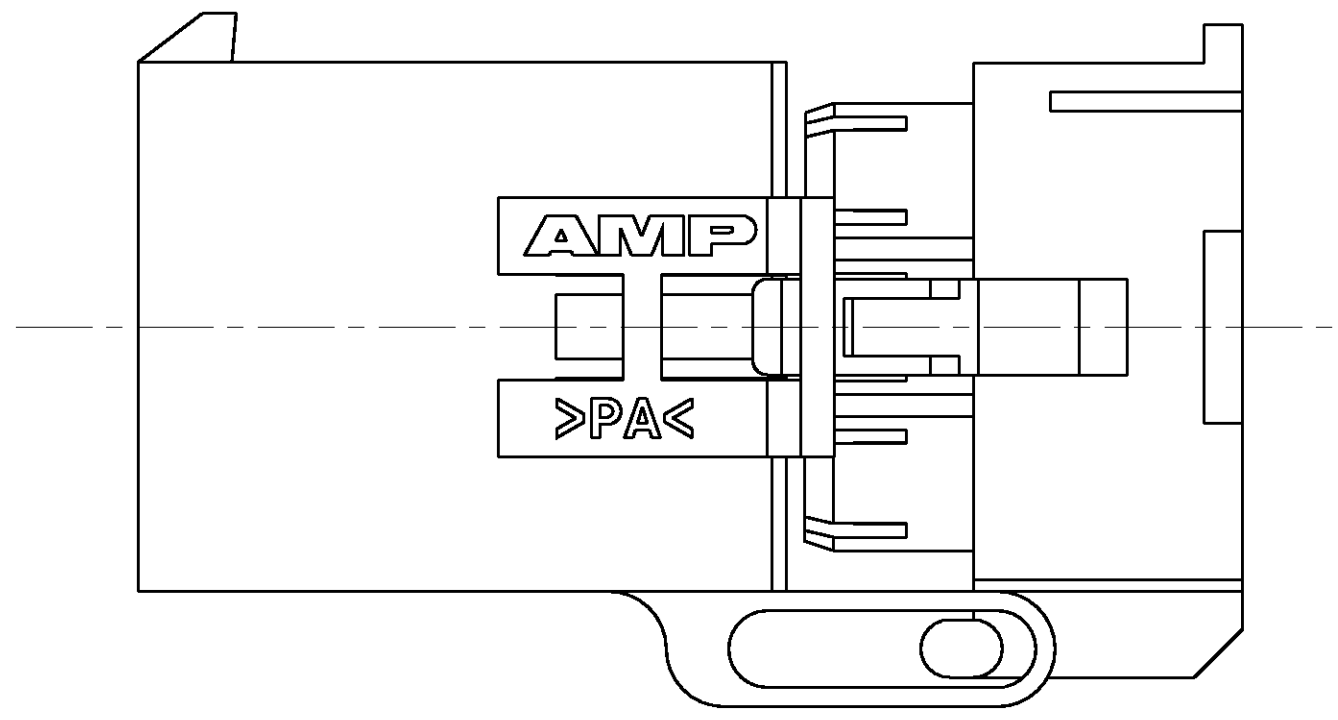
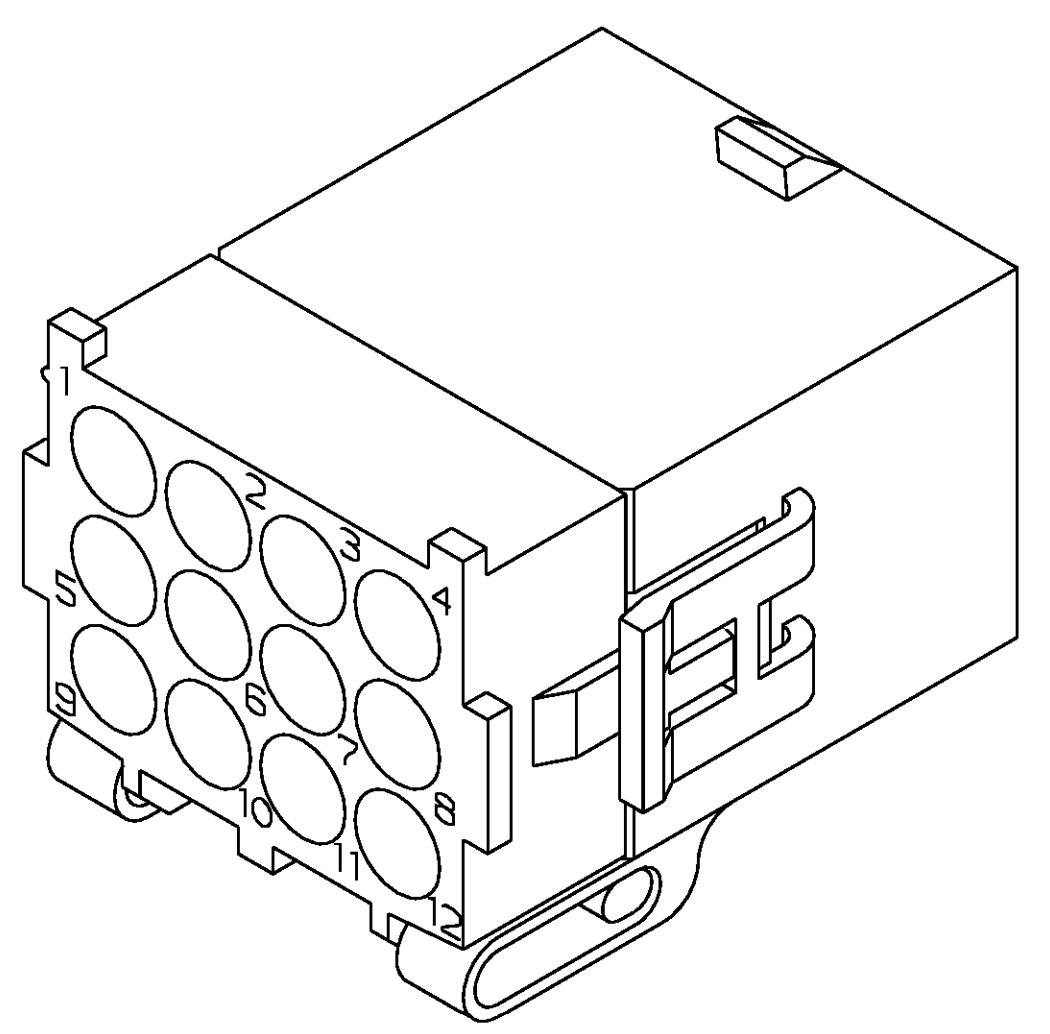
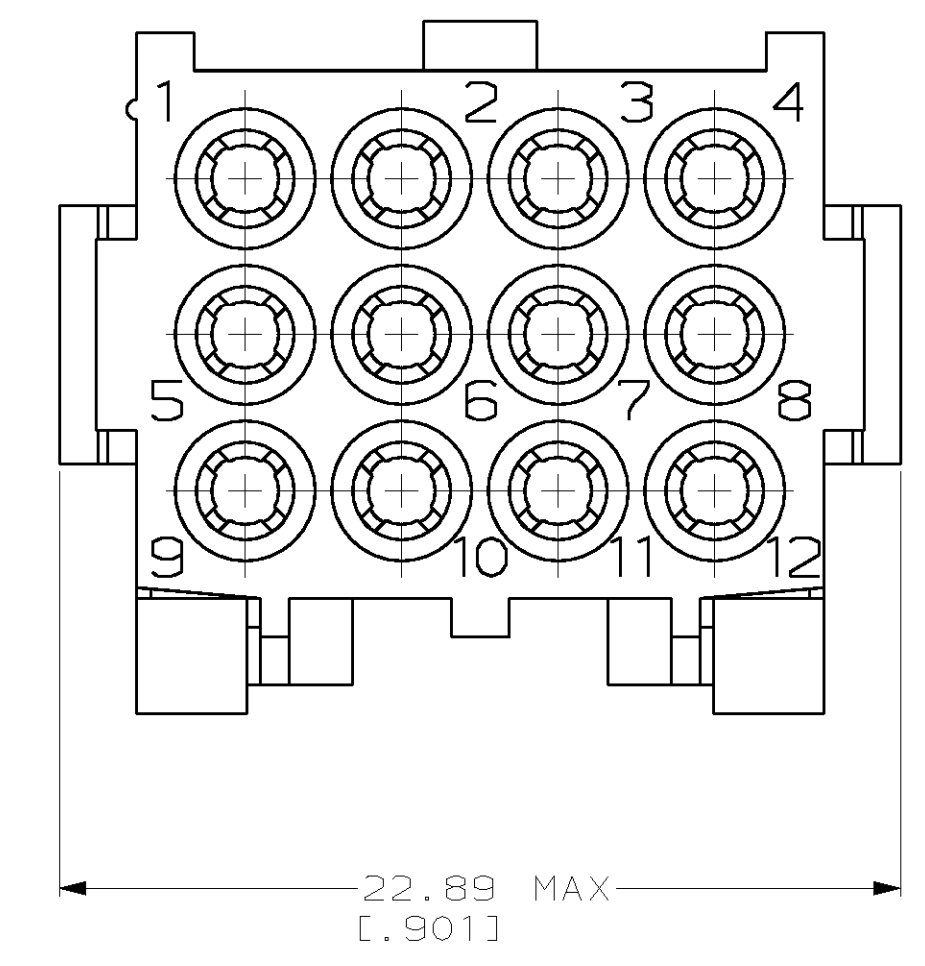
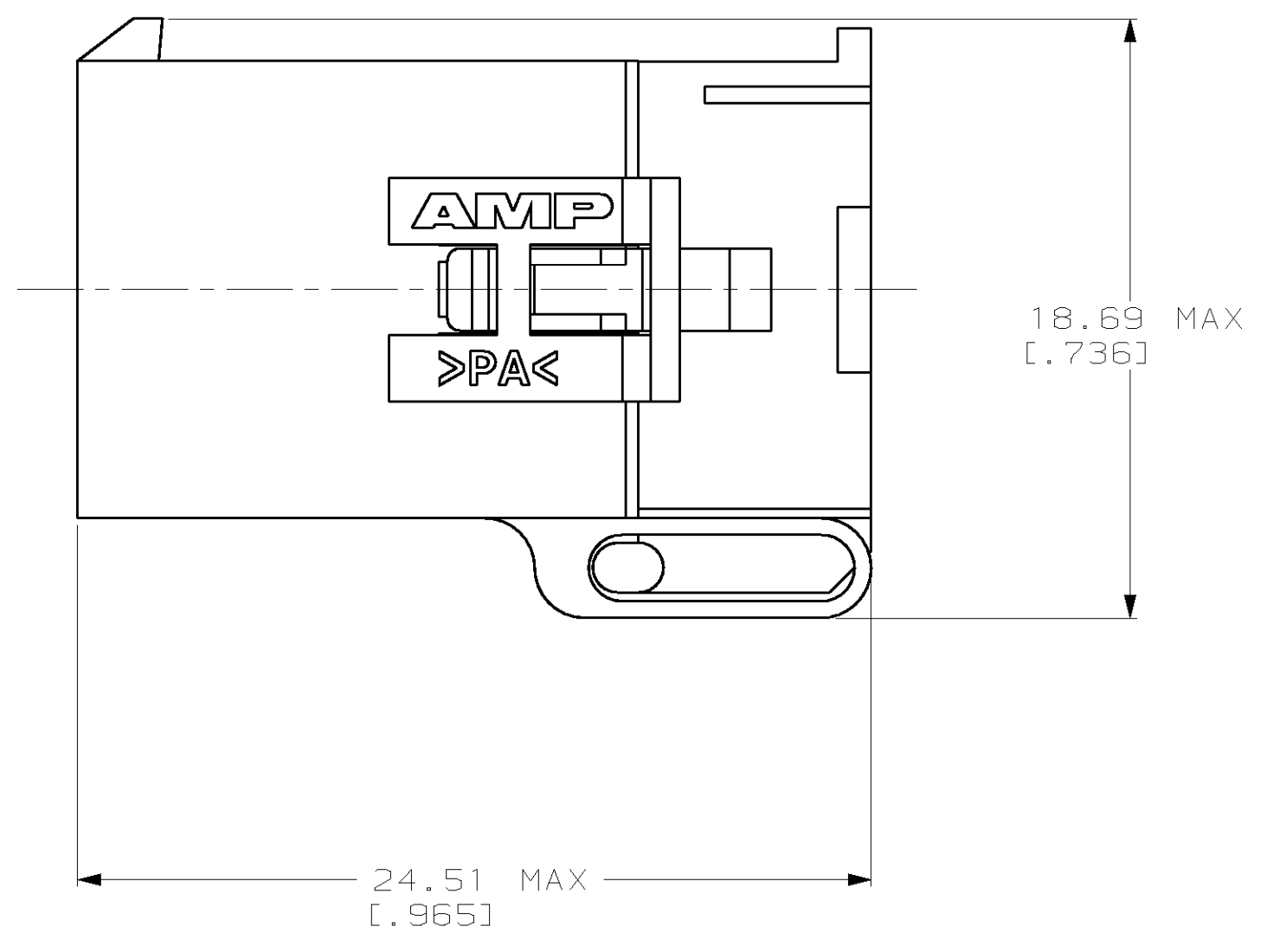
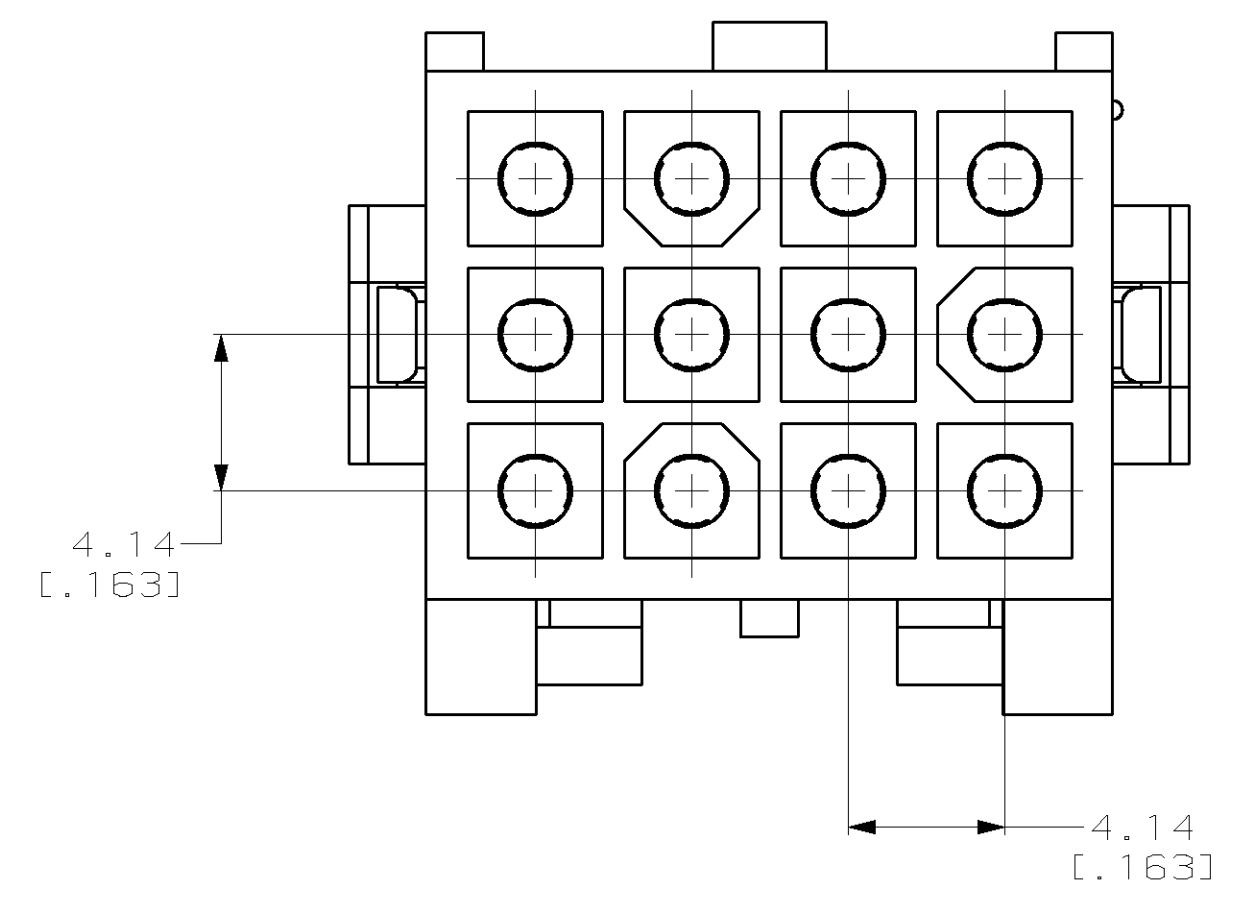


LOC	DIST	REVISIONS			
F	CHR	DESCRIPTION	DATE	OWN	APVD
B		REV PER EC 061B-0094-99	23-SEP-99	KW	KC



PRE-STAGED CONDITION

1. DIMENSIONS IN BRACKETS ARE IN INCHES.



3-DIMENSIONAL MODEL  
NTS

794201-1  
PART NUMBER



THIS DRAWING IS A CONTROLLED DOCUMENT.		DWN K. WHITAKER 5-15-97	<b>AMP</b> AMP Incorporated Harrisburg, PA 17105-3608
DIMENSIONS:		CHK R. SWING 5-15-97	
mm	TOLERANCES UNLESS OTHERWISE SPECIFIED:	APVD S. ORSTAD 5-15-97	NAME CAP,
0 PLC ±	1 PLC ±	PRODUCT SPEC	12 CIRCUIT MATRIX,
2 PLC ±0.13 [0.005]	3 PLC ±	APPLICATION SPEC	MINI UNIVERSAL MATE-N-LOK™ 2
4 PLC ±	ANGLES ±	SIZE CAGE CODE DRAWING NO	RESTRICTED TO
MATERIAL NYLON, UL 94V-0, NATURAL	FINISH -	WEIGHT -	A1 00779 C-794201
CUSTOMER DRAWING		SCALE 5:1	SHEET 1 OF 1 REV B