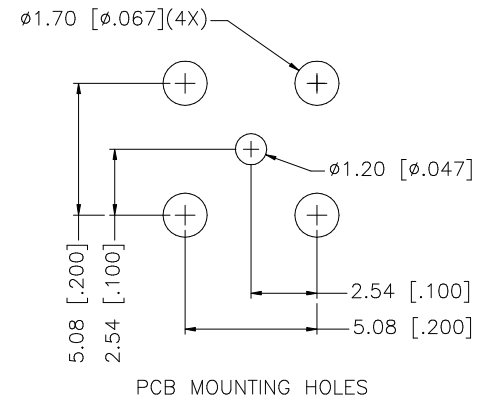
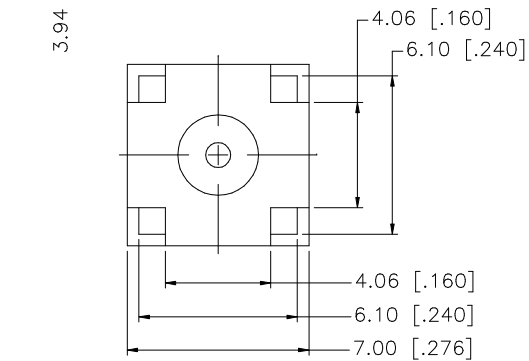
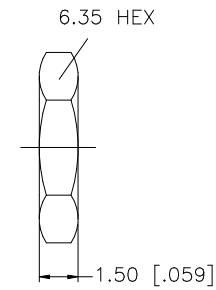
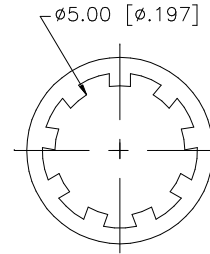
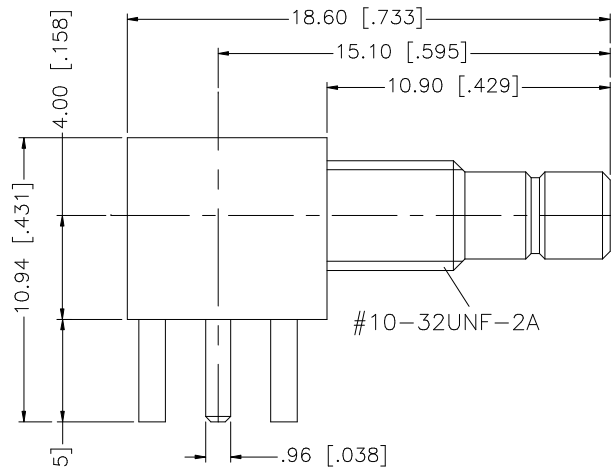


REV.	DATE	DESCRIPTION
NC	07/20/05	INITIAL RELEASE



QTY	FINISH	MATERIAL	DESCRIPTION
1	GOLD	BRASS	BODY
1	NATURAL	TEFLON	INSULATOR
1	GOLD	BRASS	CONTACT PIN
1	NICKEL	BRASS	LOCK WASHER
1	NICKEL	BRASS	HEX NUT

UNLESS OTHERWISE SPECIFIED DIMENSIONS ARE IN MILLIMETERS. DIMENSIONS IN [ ] ARE IN INCHES AND FOR CUSTOMER REFERENCE ONLY.

UNLESS OTHERWISE SPECIFIED TOLERANCES FOR MILLIMETERS ARE:  
0.5 - 8mm ± 0.20mm  
8 - 30mm ± 0.40mm  
30 - 120mm ± 0.50mm

UNLESS OTHERWISE SPECIFIED TOLERANCES FOR INCHES ARE:  
.020 - .315 = ± 0.007"  
.315 - 1.180 = ± 0.015"  
1.180 - 4.724 = ± 0.020"

DO NOT SCALE DRAWING

APPROVALS	DATE
DRAWN G.R.S.	07/20/05
CHECKED	
ISSUED	
SHEET 1 OF 1	
CAD FILE C:/142/142184-75.DWG	

**Amphenol Connex**

PART DESCRIPTION  
**SMB R/A P.C. MOUNT BULKHEAD JACK**  
**75ohm**

PART NO.  
**142184-75**

DWG. NO. 142184-75.DWG	REV. NC	SIZE A	SCALE NA
------------------------	---------	--------	----------