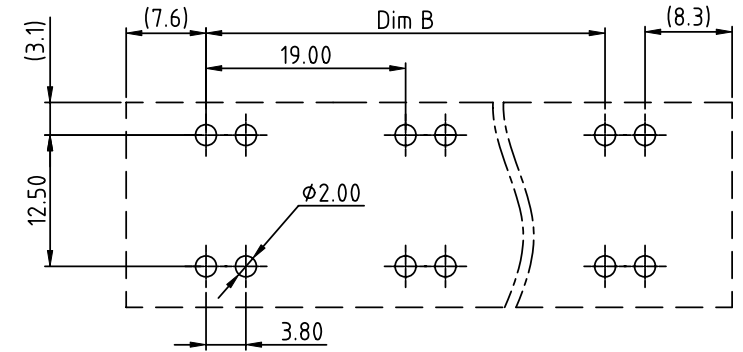
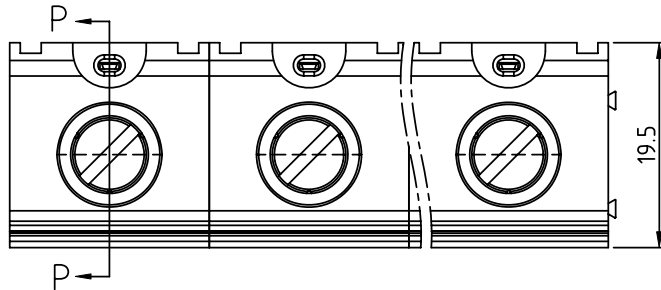
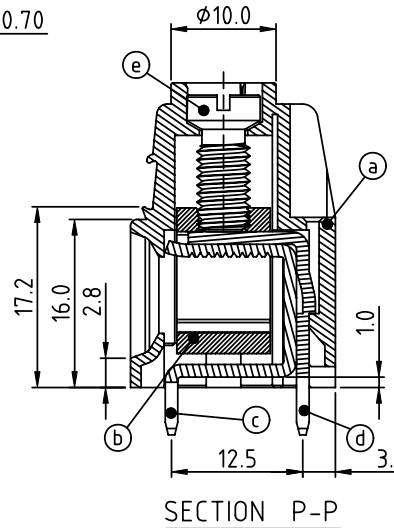
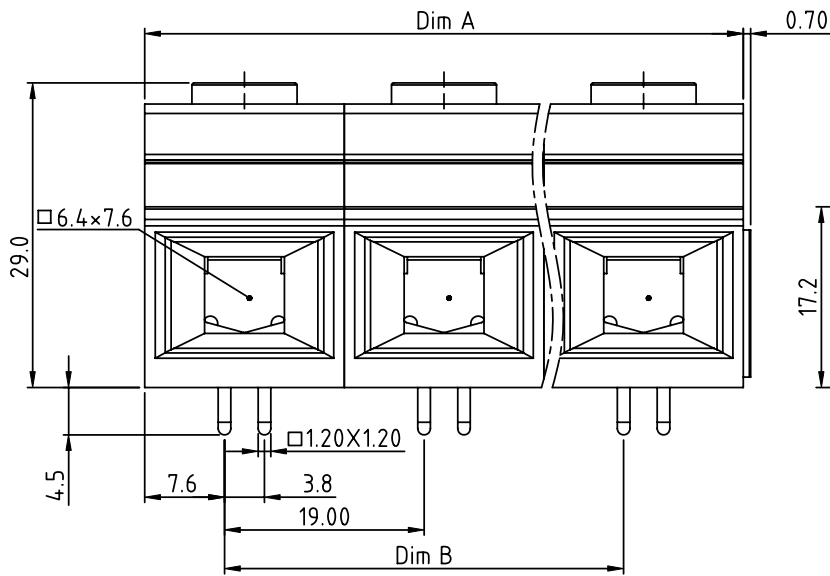


PRODUCT NUMBER	PITCH
EJxxD1x100J0G	19.00 mm



RECOMMENDED P.C.B LAYOUT
TOP VIEW



SECTION P-P

Material:

- Item a Insulator (housing): Thermoplastic (UL 94V-0)
- Item b Clamp: Brass, Nickel plated
- Item c Solder pin1 : copper, Tin plated
- Item d Solder pin2 : copper, Tin plated
- Item e Terminal screw : Steel Zinc plating"- "slot type

Electrical cULus

- Voltage rating : 600V
- Current rating : 100A
- Wire range :
- Solid wire (AWG) : 3-18
- Stranded wire (AWG) : 3-18
- Torque (LB-In.) : 30
- Screw : M5
- Wire strip length : 12 ~ 15mm
- Withstanding Voltage : 2.2KV
- Operating temperature : -40°C+115°C
- Soldering temperature : 260°C+5°C/5 Sec
- Safety Approval: us

PART NO.: EJ xx D 1 x 1 00J0 G

N = Number of poles
Dim A=Nx19.0
Dim B=(N-1)x19.0

poles	Dim A	Dim B
1p	±0.30	
2-3p	±0.35	±0.30
4-7p	±0.50	±0.45

End stackable	No. of poles	Color	RoHS compliant (lead<4%) In copper Alloy
0	1 poles	Black (RAL9005)	
2	2 poles	Red (RAL3001/D)	
3	3 poles	Orange(RAL2011/P)	
4	4 poles	Yellow(RAL1018/A)	
5	5 poles	Green(RAL6018/T)	
6	6 poles	Blue (RAL5015/A)	
8	7 poles	Grey(RAL7035/D)	
9		White(RAL1102)	
C		Green(RAL6018/U)	

mat'l. code				surface	tolerance	projection	product family		
				ASME Y14.5	ASME Y14.5		TERMINAL BLOCK		
ltr	ecn no	dr	date	tolerances unless otherwise specified			title		
				angles	X.±0.5		TERMINAL BLOCK		
				lineal	X.X±0.3		RISING CLAMP,180D WIRE INLET,END STACKABLE		
				X*±1°	X.XX±0.1	scale			
dr	EVIN ZHONG		041514				dwg no	sheet 1 of 1	
enr	EVIN ZHONG		041514				EJxxD1x100J0G		
chr	HANKE FENG		041514				A4		
appd	SHI JUN		041514				CUSTOMER Drawing		
sheet index	revision sheet	A 1							