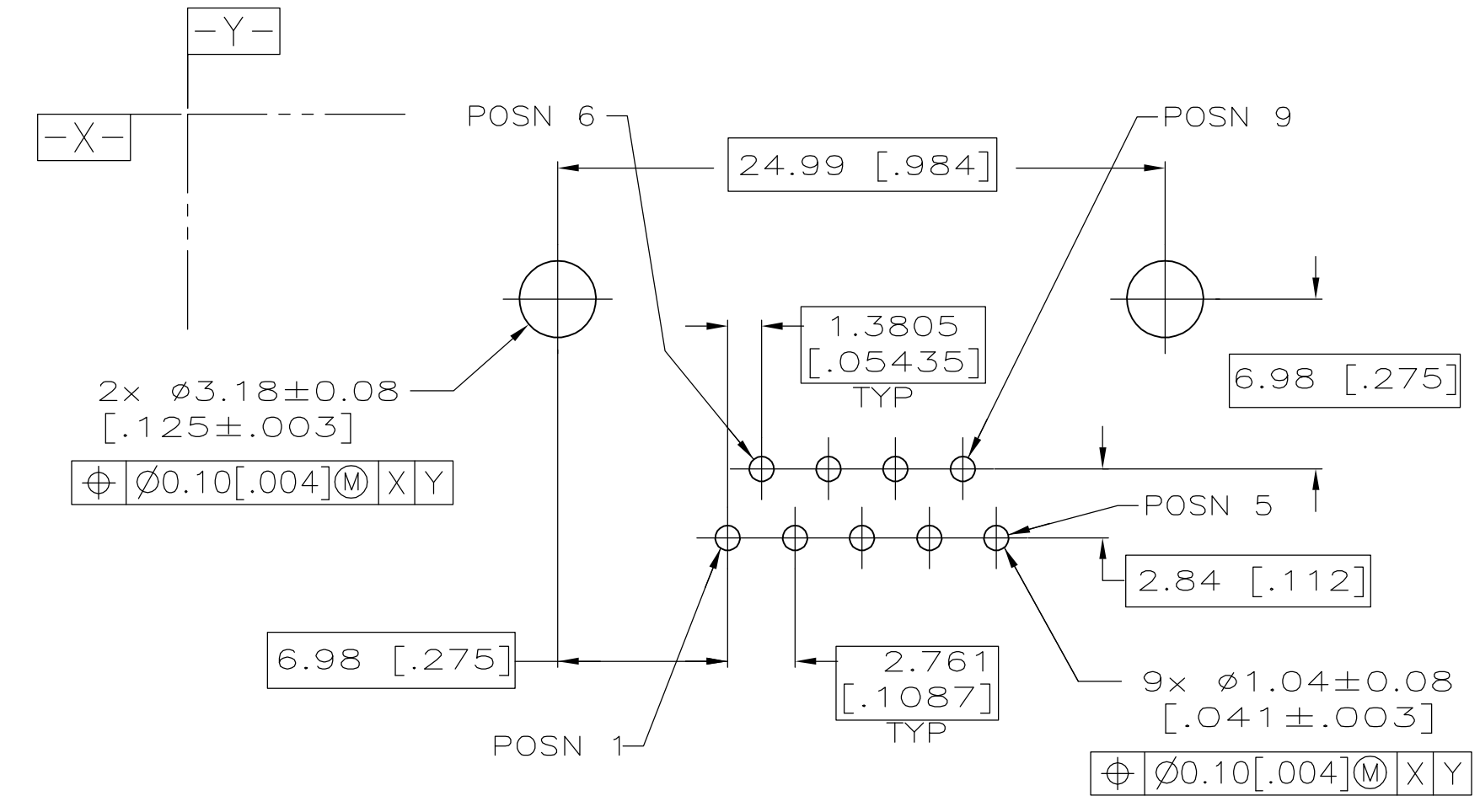
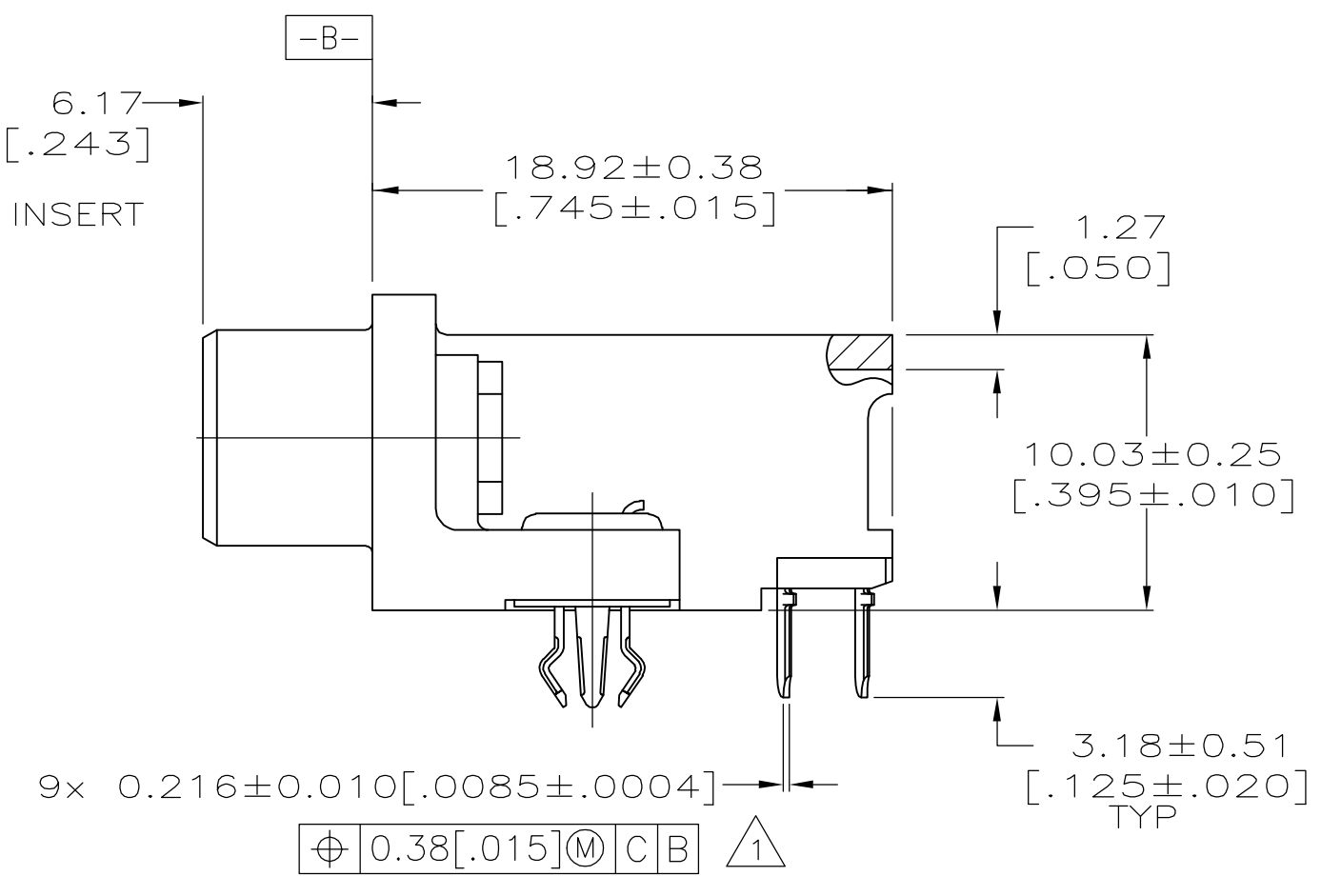
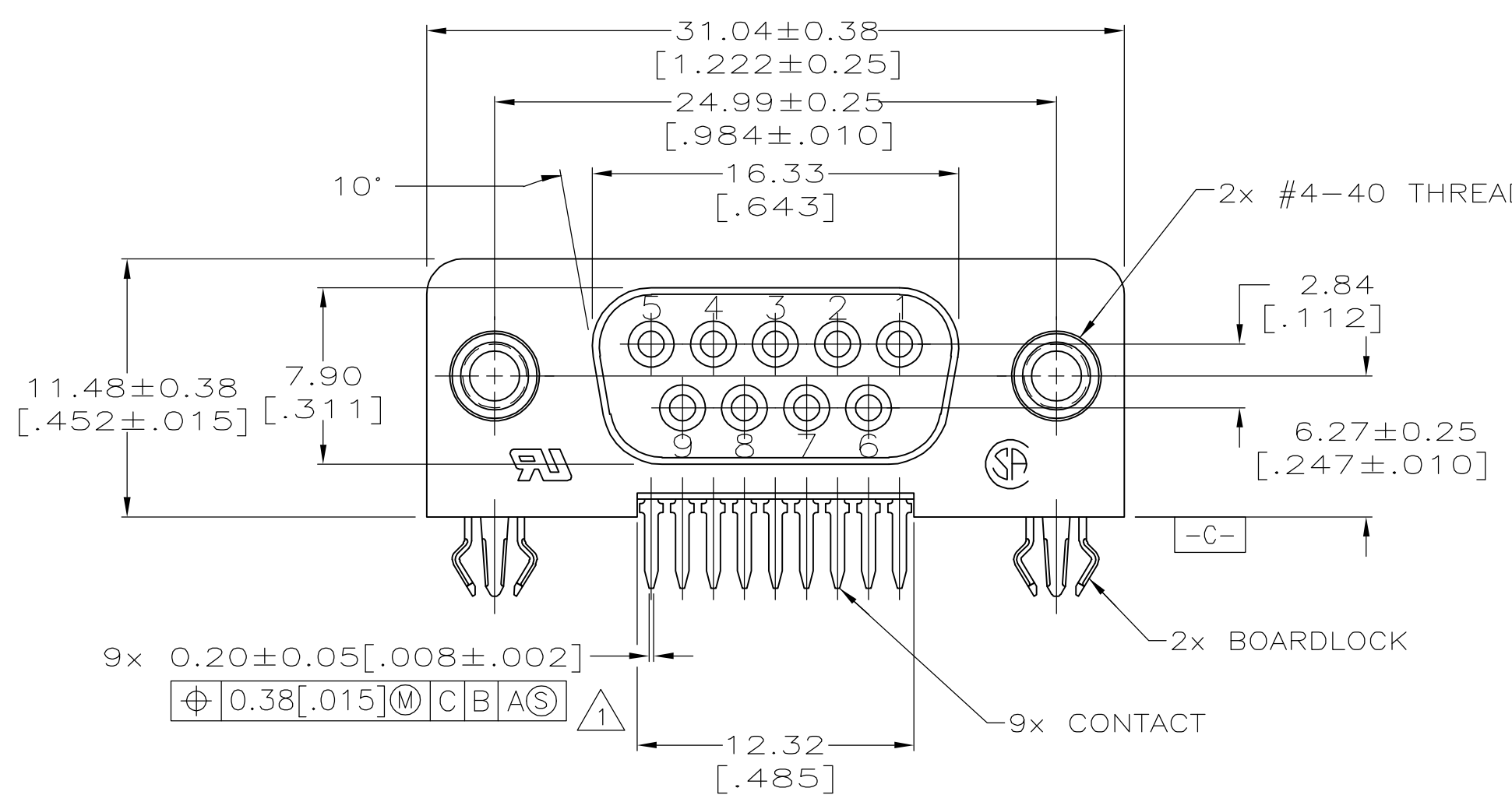


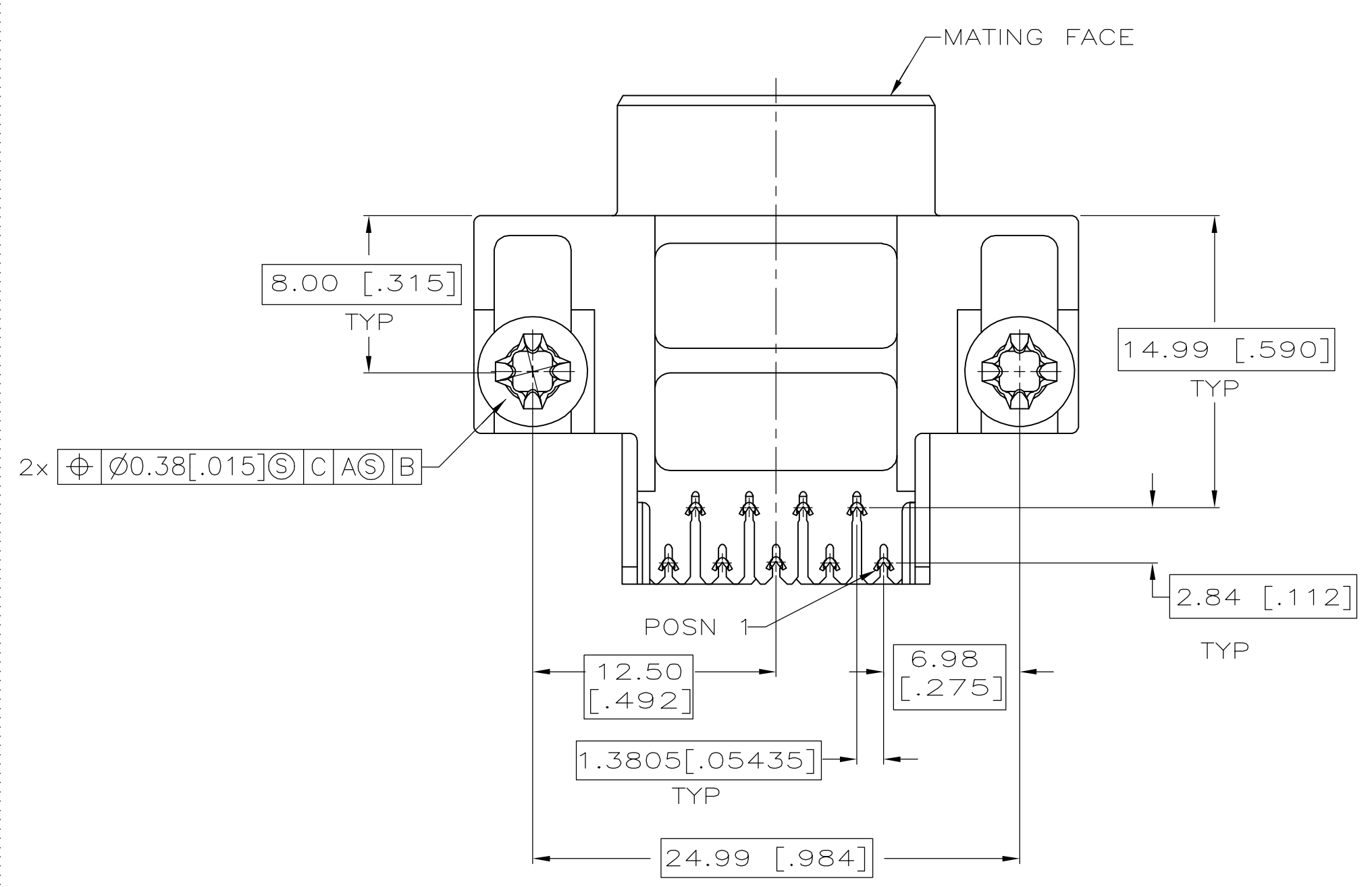
TYCO, PART NO. & DATE CODE, MARKED IN AREA INDICATED

CL OF DATUM A



PC BOARD MOUNTING DIMENSIONS  
 (1.57 [.062] PC BOARD THICKNESS)

- 1 POSITION TOLERANCE APPLIES AT TIP ONLY.
- 2 HOUSING: FLAME RETARDANT 94V-0 RATED, NYLON OR POLYESTER, COLOR: BLACK.  
 CONTACTS: PHOSPHOR BRONZE  
 EYELETS: BRASS  
 INSERTS: ZINC  
 BOARDLOCKS: COPPER ALLOY
- 3 EYELETS: 2.54µm [.000100] MIN TIN OVER COPPER FLASH.  
 BOARDLOCKS: 3.81µm [.00015] MIN TIN OVER 1.27µm [.000050] MIN NICKEL.  
 CONTACTS: GOLD FLASH FOR A LENGTH OF 1.52 [.060] MIN FROM MATING END, 2.54µm [.0001] MIN TIN FOR A LENGTH OF 3.68 [.145] MIN FROM OPPOSITE END, BOTH OVER 1.27µm [.000050] MIN NICKEL.  
 INSERTS: CLEAR CHROMATE COATING.



5748907-2  
 PART NO

**COPYRIGHT 2005  
 TYCO ELECTRONICS CORP  
 ALL RIGHTS RESERVED**

THIS DRAWING IS A CONTROLLED DOCUMENT.		DWN G.PETERS 21SEP05	Tyco Electronics Corporation Harrisburg, PA 17105-3608
DIMENSIONS: mm [INCHES]		CHK S.BOLASH 21SEP05	
TOLERANCES UNLESS OTHERWISE SPECIFIED:		APVD M.WALMSLEY 21SEP05	NAME
0 PLC ± -		PRODUCT SPEC	RECEPTACLE ASSEMBLY, SIZE 1, 9
1 PLC ± -		APPLICATION SPEC	POSN, ALL PLASTIC, RIGHT ANGLE,
2 PLC ± 0.13 [.005]		SIZE	.590 SERIES, AMPLIMITE III
3 PLC ± -		CAGE CODE	
4 PLC ± -		DRAWING NO	
ANGLES ± Z		RESTRICTED TO	
MATERIAL	FINISH	WEIGHT	
			A1 00779 C=5748907
CUSTOMER DRAWING		SCALE	4:1
		SHEET	1 OF 1
		REV	0