

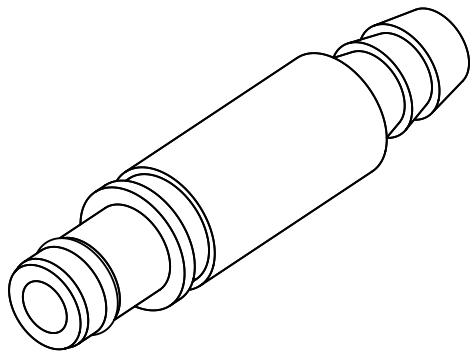
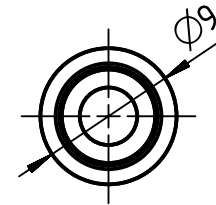
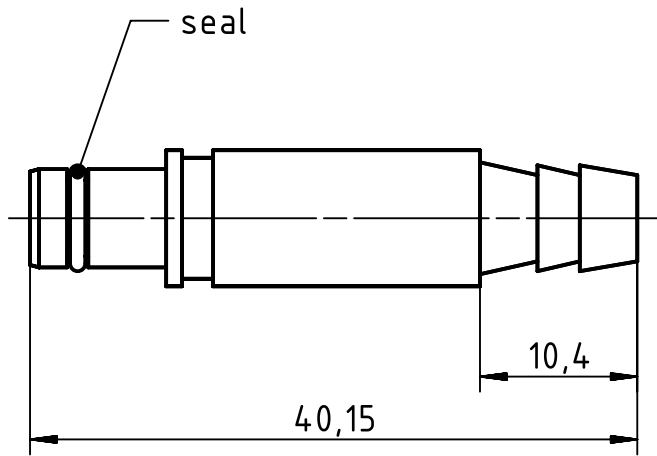
1 2 3 4 5 6


A

B

C

D



	All Dimensions in mm Original Size DIN A4		Scale 2:1	Free size tol.		Ref.	
	All rights reserved Department EL PD - DE		Created by MOELLERLI	Inspected by BEISCHER	Standardisation TIEMANNA	Date 2016-09-08	State Final Release
HARTING Electric GmbH & Co. KG D-32339 Espelkamp		Title Pneum. contact metal ID 6mm male				Doc-Key / ECM-Nr. 100654517/UGD/001/C 500000108675	
		Type TB	Number 09 14 000 6306			Rev. C	Page 1/1