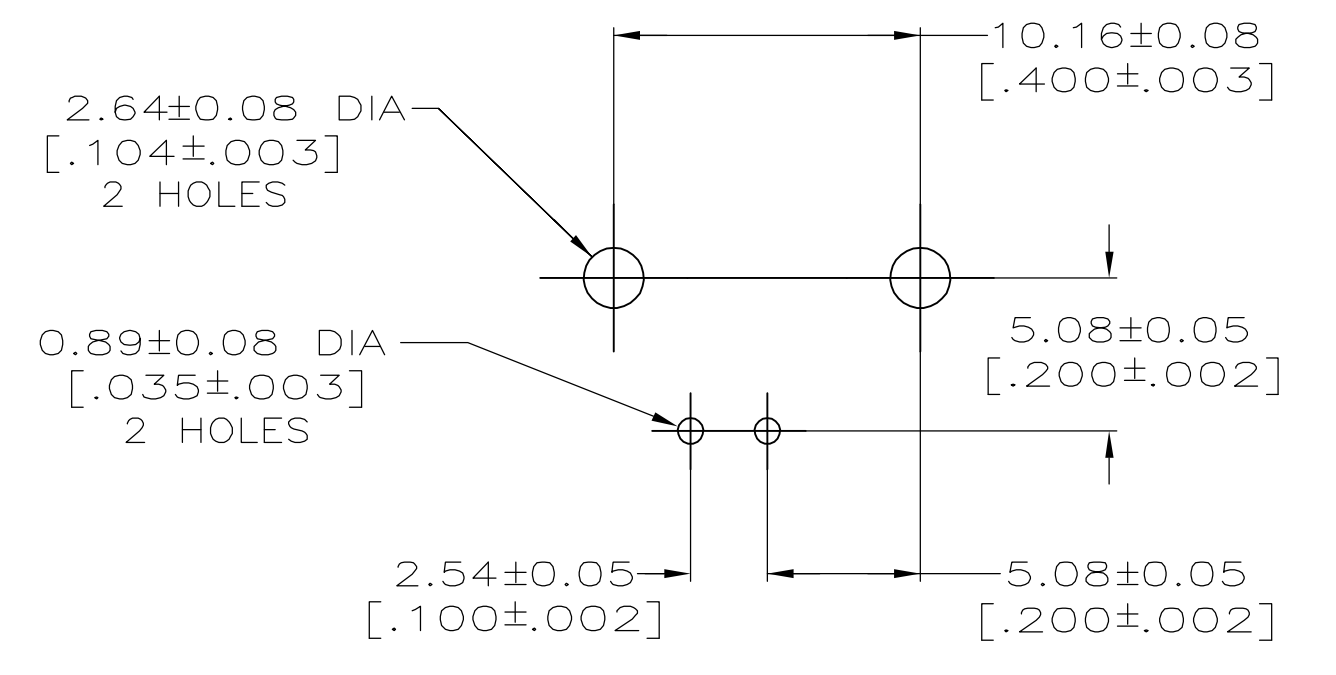
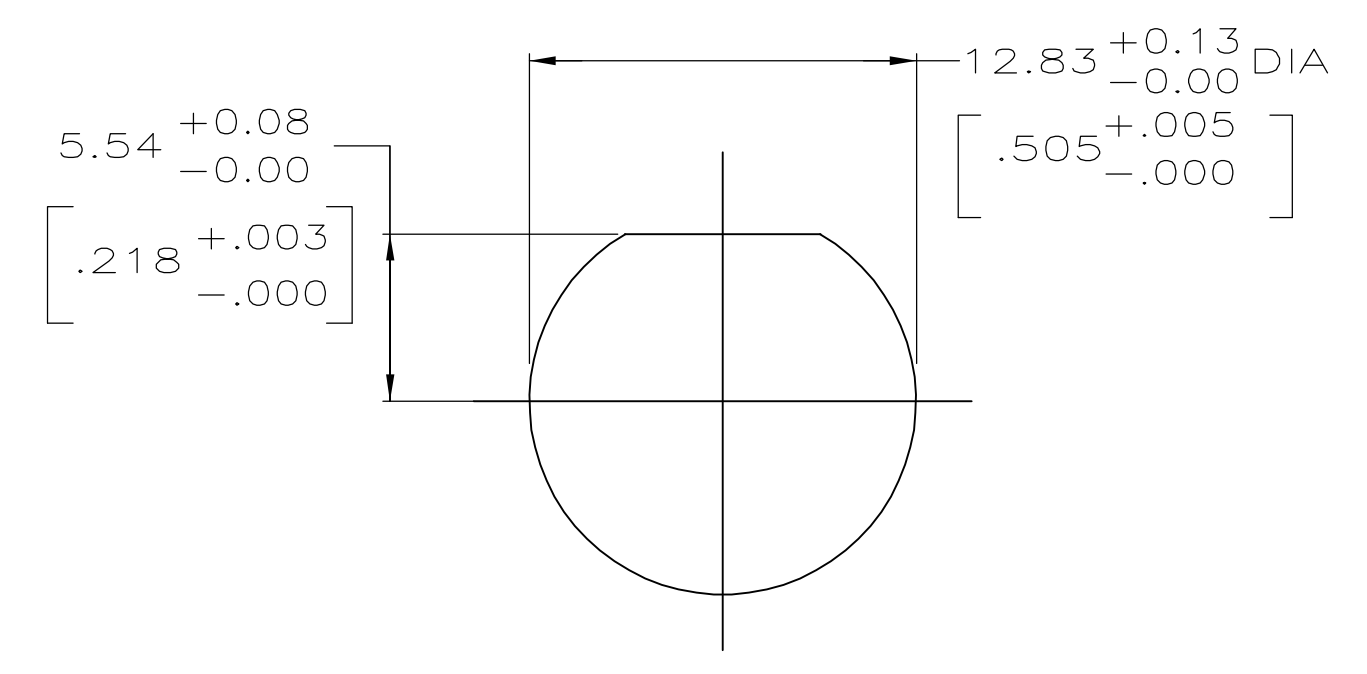
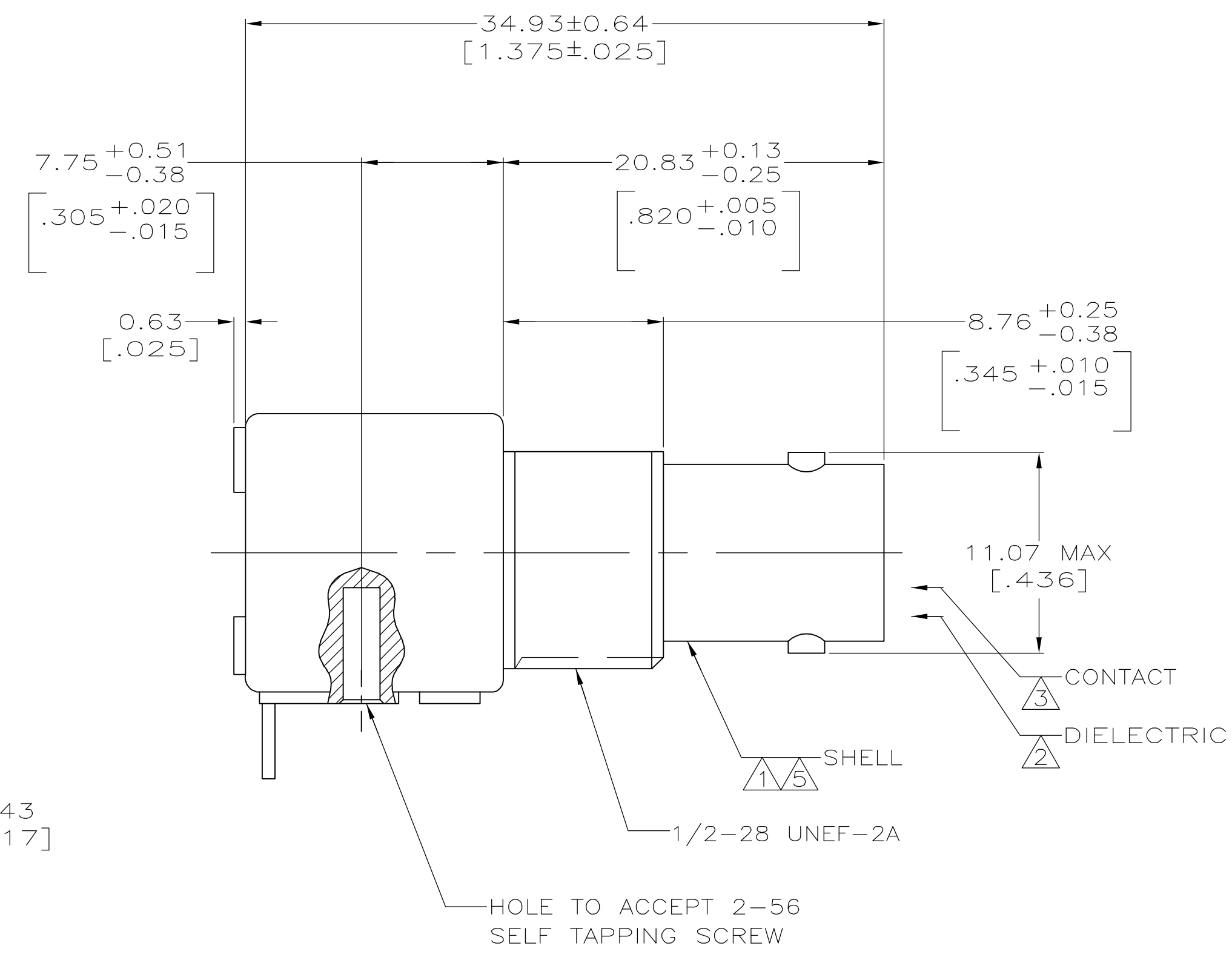
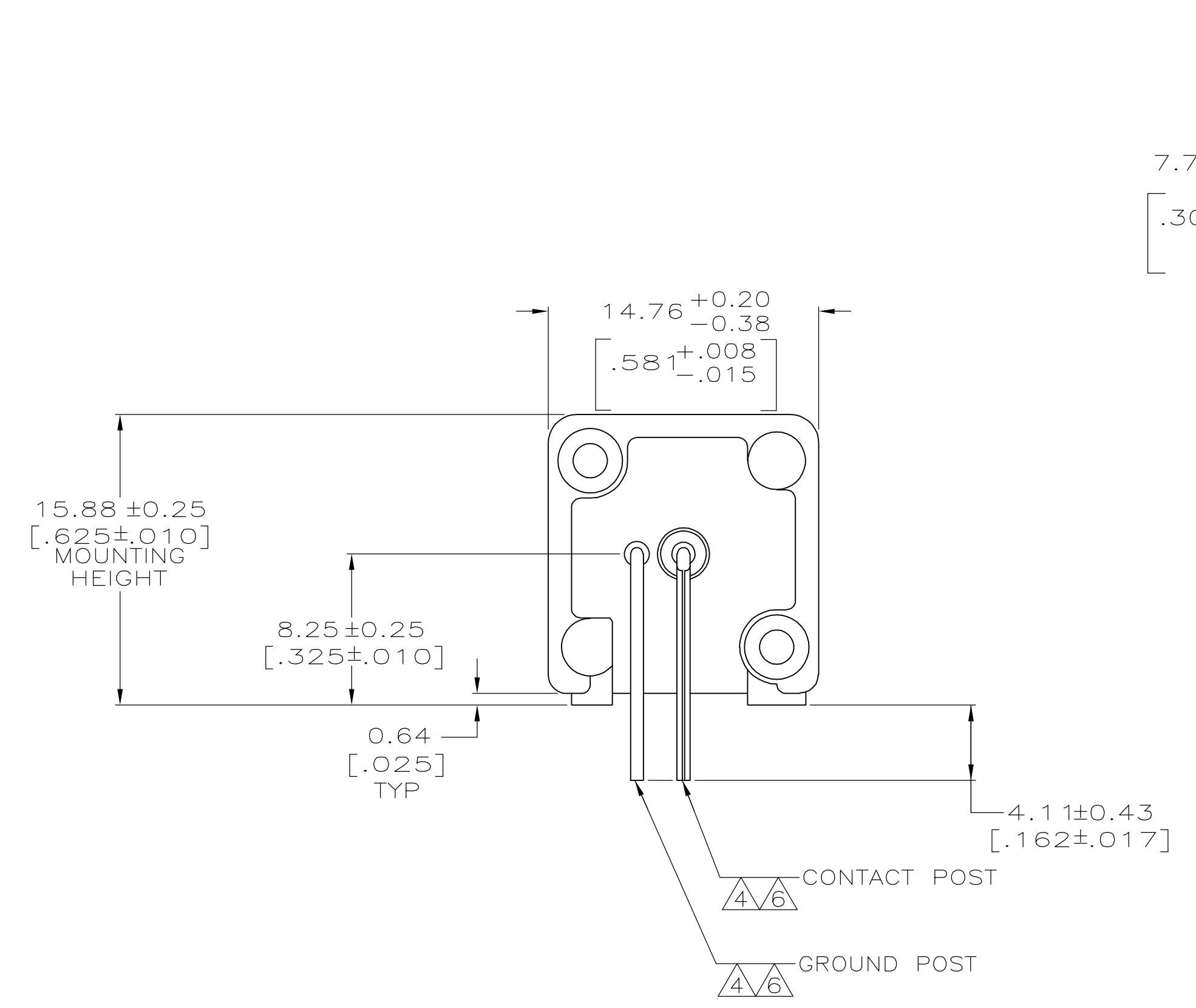


LOC	DIST	REVISIONS			
AJ	16	REV	DESCRIPTION	DATE	BY
		A	REVISED PER EC OS14-0150-05	30AUG05	JL

- 1 ZINC PER QQ-Z-363.
- 2 POLYMETHYLPENTENE, GENERAL PURPOSE.
- 3 BERYLLIUM COPPER PER QQ-C-530.
- 4 BRASS PER ASTM-B-453.
- 5 NICKEL PLATE PER QQ-N-290, 3.81 μm [.000150] MINIMUM THICK.
- 6 TIN PLATE PER ASTM B 545, 3.81 μm [.000150] MINIMUM THICK.
- 7 GOLD PLATE PER MIL-G-45204, 0.76 μm [.000030] MINIMUM THICK.
- 9. SEE INSTRUCTION SHEET 408-2769.



CONTACT FINISH	5222093-1
	PART NUMBER

THIS DRAWING IS A CONTROLLED DOCUMENT.		DWN J. ALCORTA - 21APR2005	Tyco Electronics Corporation Harrisburg, Pa 17105-3608
		CHK J. HAVENER - 21APR2005	
DIMENSIONS: mm (INCHES)	TOLERANCES UNLESS OTHERWISE SPECIFIED:	APPD J. LIPPERT - 21APR2005	NAME
0 PLC ± -	1 PLC ± -	PRODUCT SPEC	JACK, RIGHT ANGLE, PCB
2 PLC ± -	3 PLC ± 0.20 [.008]	APPLICATION SPEC	75 OHM, SERIES BNC
4 PLC ± -	ANGLES ± -	FINISH	
MATERIAL SEE NOTES 1 - 4	FINISH SEE NOTES 5 - 7	SIZE A1	CAGE CODE 00779
CUSTOMER DRAWING		DRAWING NO. 5222093	RESTRICTED TO
		SCALE 4:1	SHEET 1 OF 1