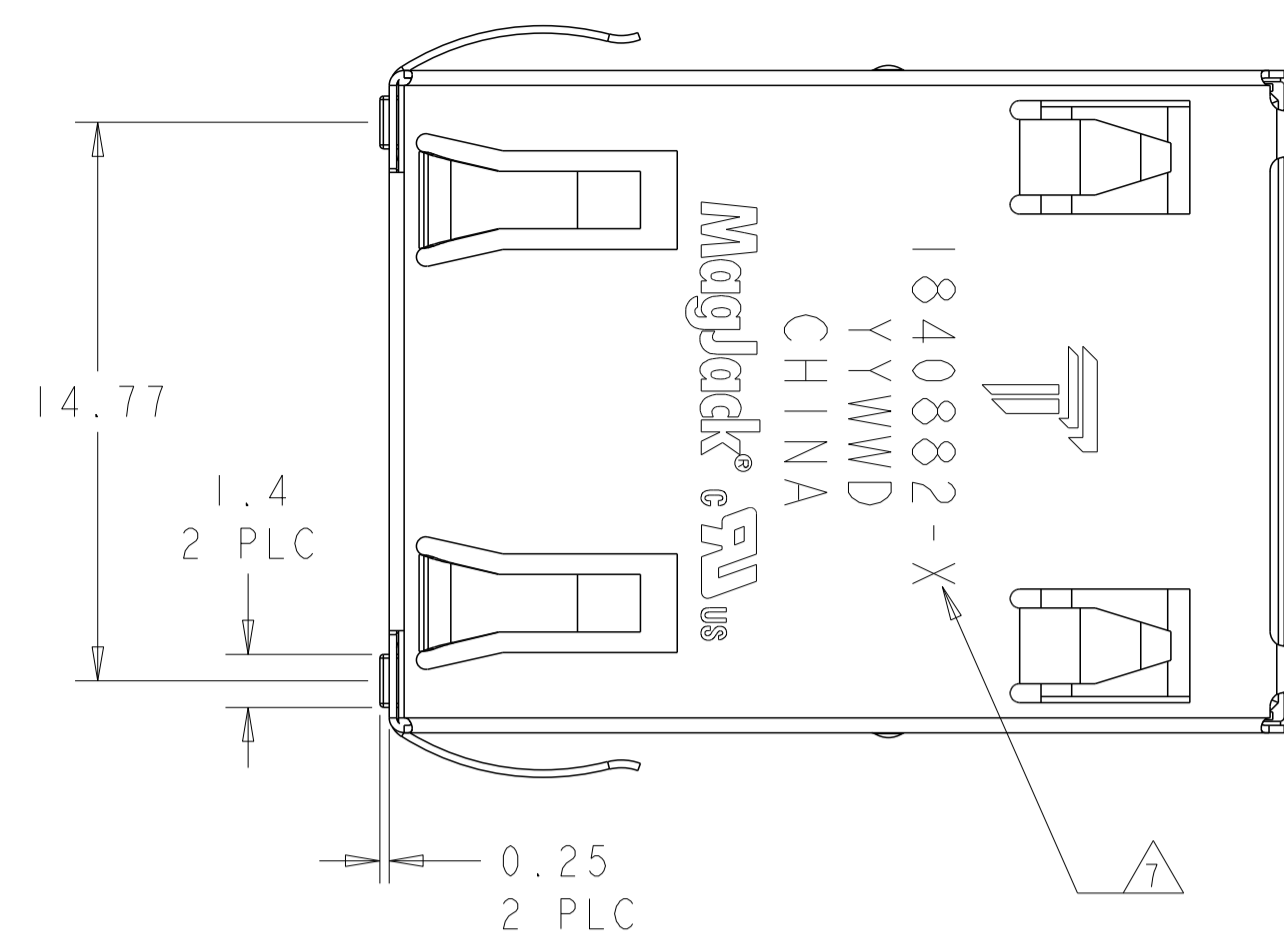
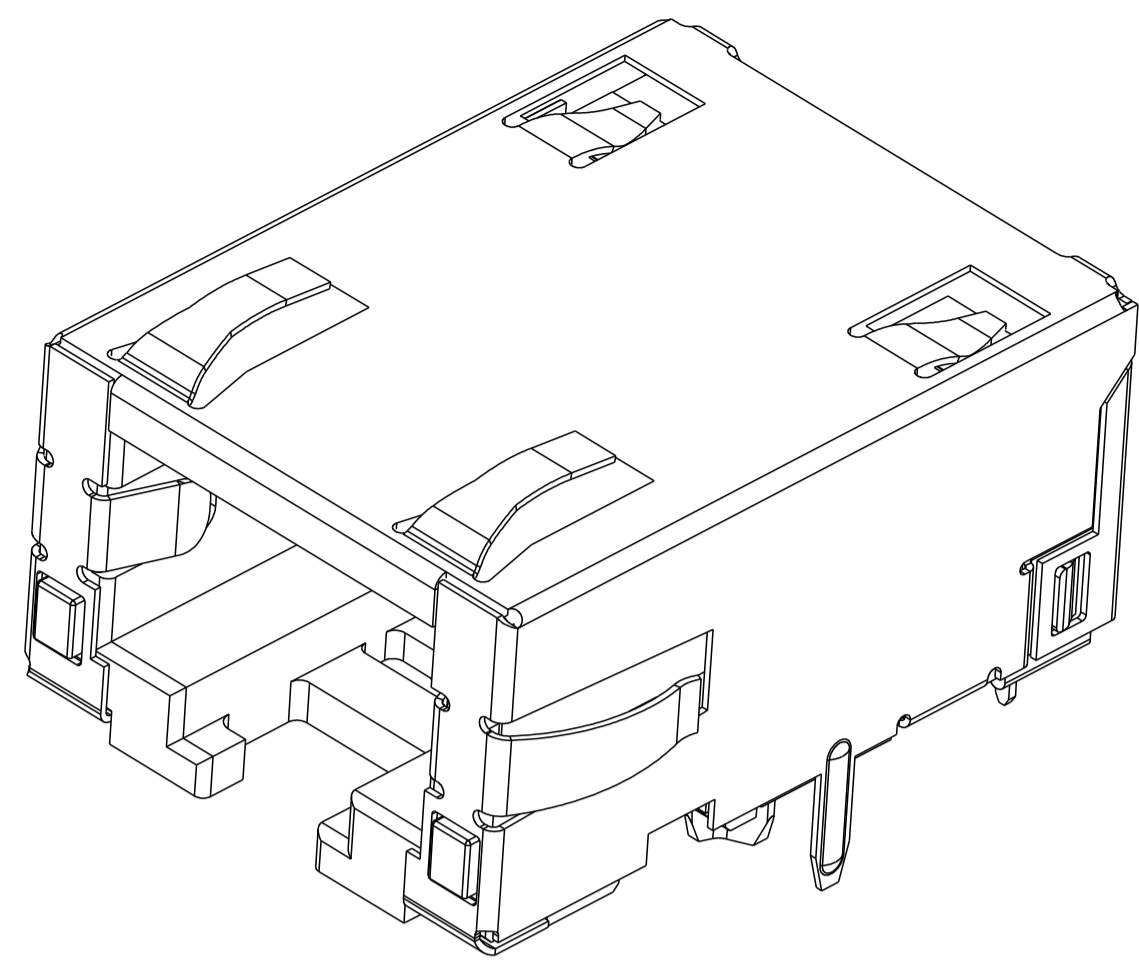


THIS DRAWING AND THE SUBJECT MATTER SHOWN THEREON ARE CONFIDENTIAL AND THE PROPERTY OF BEL/STEWART/TRP CONNECTOR AND SHALL NOT BE REPRODUCED, COPIED, OR USED IN ANY MANNER WITHOUT THE WRITTEN CONSENT OF TRP CONNECTOR.

PRODUCT MAY BE PROTECTED BY ONE OR MORE OF THE FOLLOWING US PATENTS:
 5736910 5939955 6425781 6428361 6554638 6840817 7123117
 7429195 7717749 7808751 6217391 6149050 7924130

REVISIONS				
REV	DATE	DESCRIPTION	BY	APP'D
D	24APR2013	LOGO CHANGE	TY	KZ
E	08JAN2015	COMPANY LOGO CHANGE AND EC-1409035	TYR	TYN



1. MATERIALS:
- HOUSING: HIGH TEMPERATURE NYLON, BLACK, UL 94V-0
 - SHIELD: 0.20mm THICK, BRASS PREPLATED WITH 0.76 um MIN SEMI-BRIGHT NICKEL; POST-DIPPED WITH 2 um MIN SAC ALLOY LEAD FREE SOLDER
 - CONTACT TAILS: 0.25mm THICK, PHOSPHOR BRONZE, 1.27 um MIN OVERALL NICKEL UNDERPLATE, 3 um MIN TIN PLATE
 - MOD JACK CONTACTS: 0.25mm THICK, PHOSPHOR BRONZE, 1.27 um MIN OVERALL NICKEL UNDERPLATE, WITH 0.76um MIN LOCALIZED GOLD PLATE AT PLUG INTERFACE
 - LIGHT PIPE: POLYETHER SULFONE

2. RJ45 JACK CAVITY CONFORMS TO FCC RULES AND REGULATIONS PART 68, SUB-PART F.

3. MAGNETICS:
- APPLICATION: 10/100/1000 BASE-T
 - IMPEDANCE: 100 OHMS
 - TURNS RATIO (CHIP:CABLE): 1:1 ALL FOUR PAIRS
 - OPEN CIRCUIT INDUCTANCE (OCL): 350uH MIN @100kHz, 0.1VRMS, 8mADC BIAS FROM 0°C TO 70°C, ALL FOUR PAIRS
 - ALL FOUR PAIRS BI-DIRECTIONAL
 - PERFORMANCE @ 25°C:
 - INSERTION LOSS (IL): 1.1dB MAX FROM 0.5MHz TO 100MHz
 - RETURN LOSS (RL): 18dB MIN FROM 0.5MHz TO 40MHz
 - 12-20LOG(f/80)dB MIN FROM 40.1MHz TO 100MHz
 - CROSSTALK ATTENUATION: 35dB MIN FROM 0.5MHz TO 40MHz
 - 33-20LOG(f/50)dB MIN FROM 40.1MHz TO 100MHz
 - COMMON MODE REJECTION RATIO (CMRR): 30dB MIN FROM 0.5MHz TO 100MHz
 - ISOLATION VOLTAGE: 2250VDC (MAX) FOR 60 SECONDS WITH A RISE TIME OF 500V/SEC

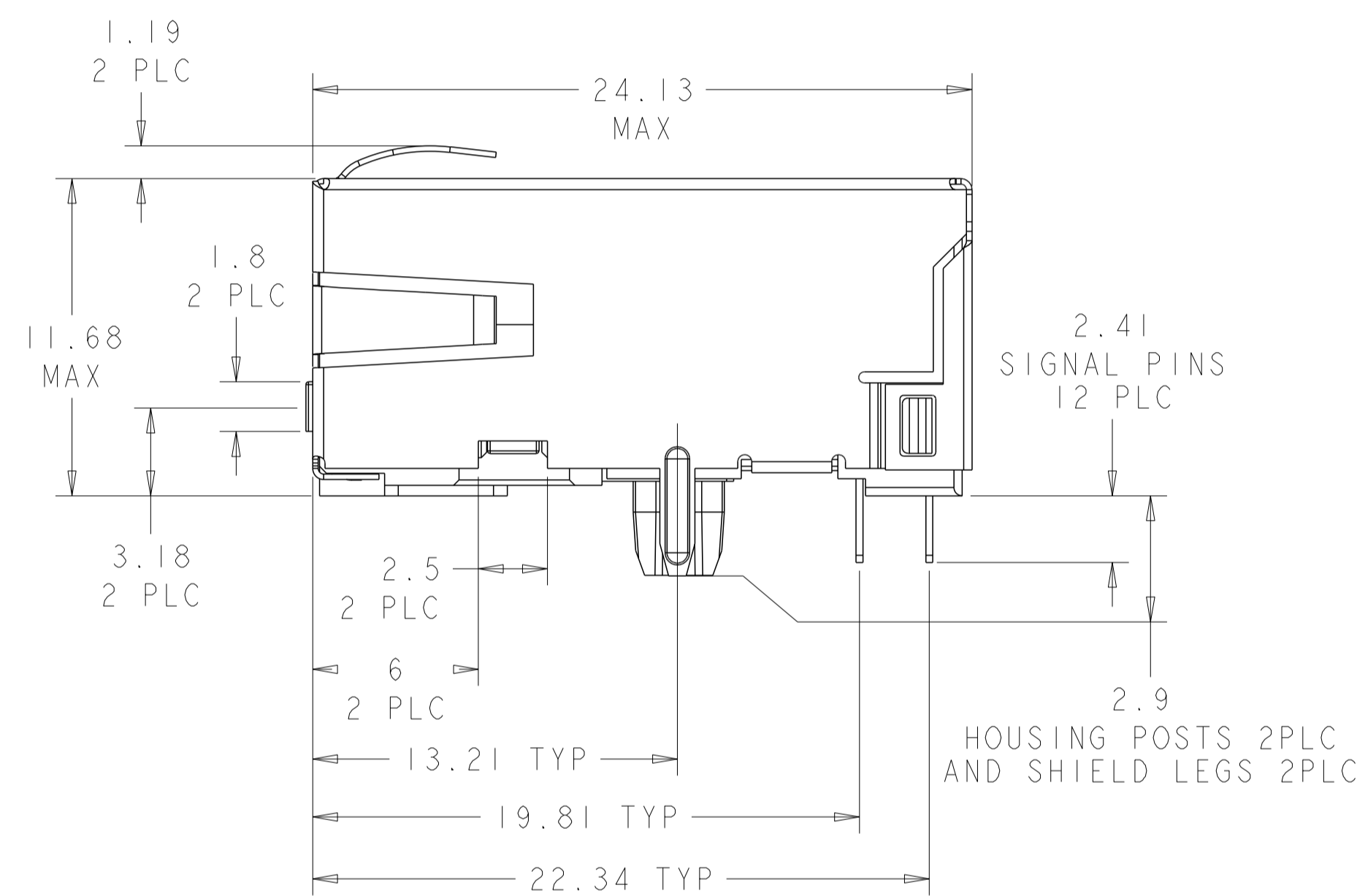
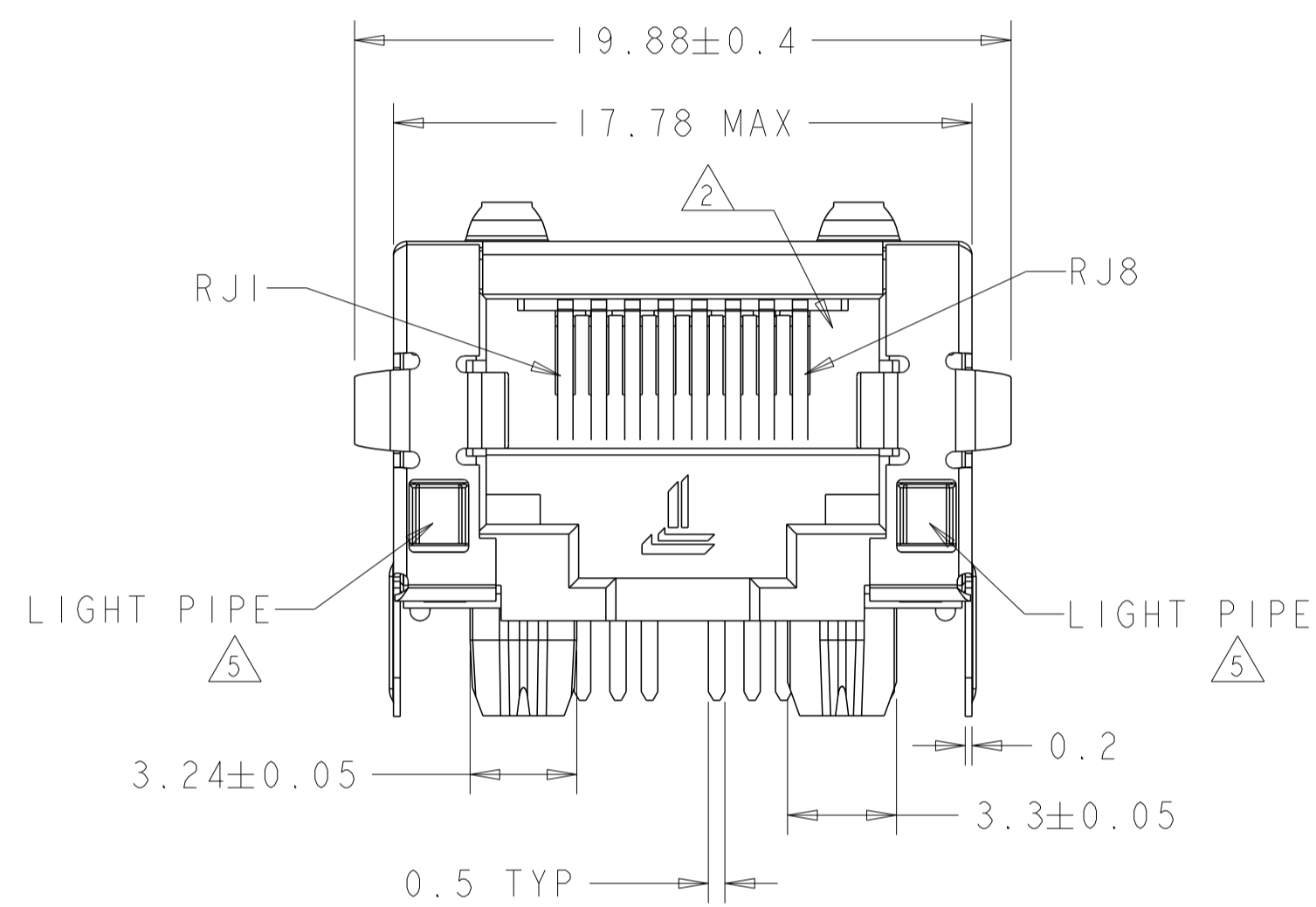
4. OPERATING TEMPERATURE: FROM 0°C TO 70°C
5. LIGHT PIPES ARE USED TO TRANSMIT LIGHT OF SMD LED'S MOUNTED ON CUSTOMER BOARD.

6. ALL DIMENSIONS ARE NOMINAL UNLESS OTHERWISE NOTED.

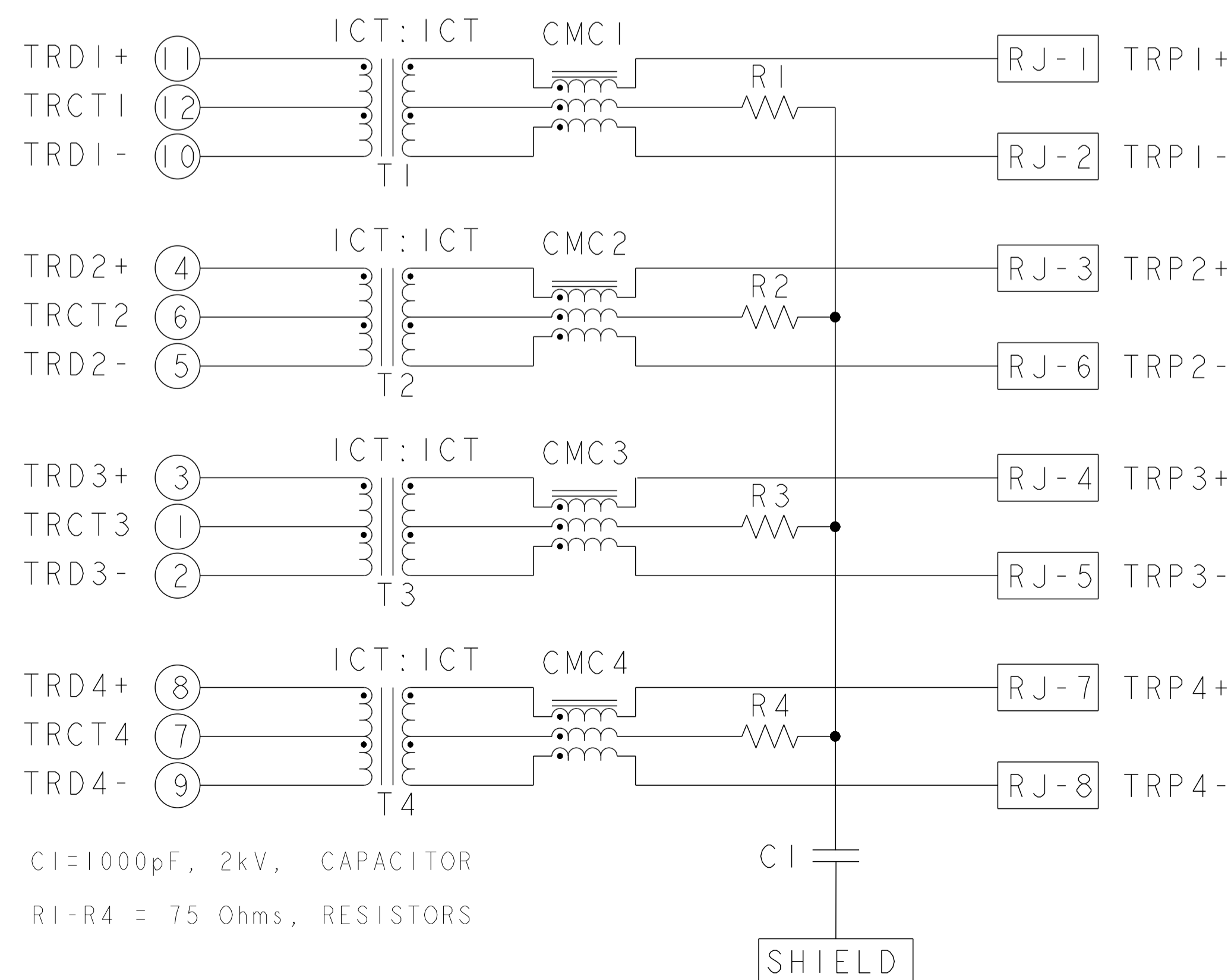
7. TRP CONNECTOR LOGO, PART NUMBER, DATE CODE, COUNTRY OF ORIGIN, AND AGENCY APPROVAL MARKING IN APPROXIMATE LOCATION SHOWN

8. PART SHOULD BE COMPLIANT TO WAVE SOLDERING PROCESS ONLY, PREHEAT TEMPERATURE IS 120°C TO 160°C, 120 SECONDS TO 180 SECONDS, PEAK SOLDERING TEMPERATURE IS 260°C MAX, 10 SECONDS MAX.

9. PART SHOULD BE COMPLIANT TO BOTH WAVE SOLDERING PROCESS, PREHEAT TEMPERATURE IS 120°C TO 160°C, 120 SECONDS TO 180 SECONDS, PEAK SOLDERING TEMPERATURE IS 260°C MAX, 10 SECONDS MAX, AND IR REFLOW SOLDERING PROCESS, PEAK SOLDERING TEMPERATURE 260°C MAX, DURATION TIME 10 SECONDS MAX, OVER 230°C WITHIN 40-60 SECONDS.

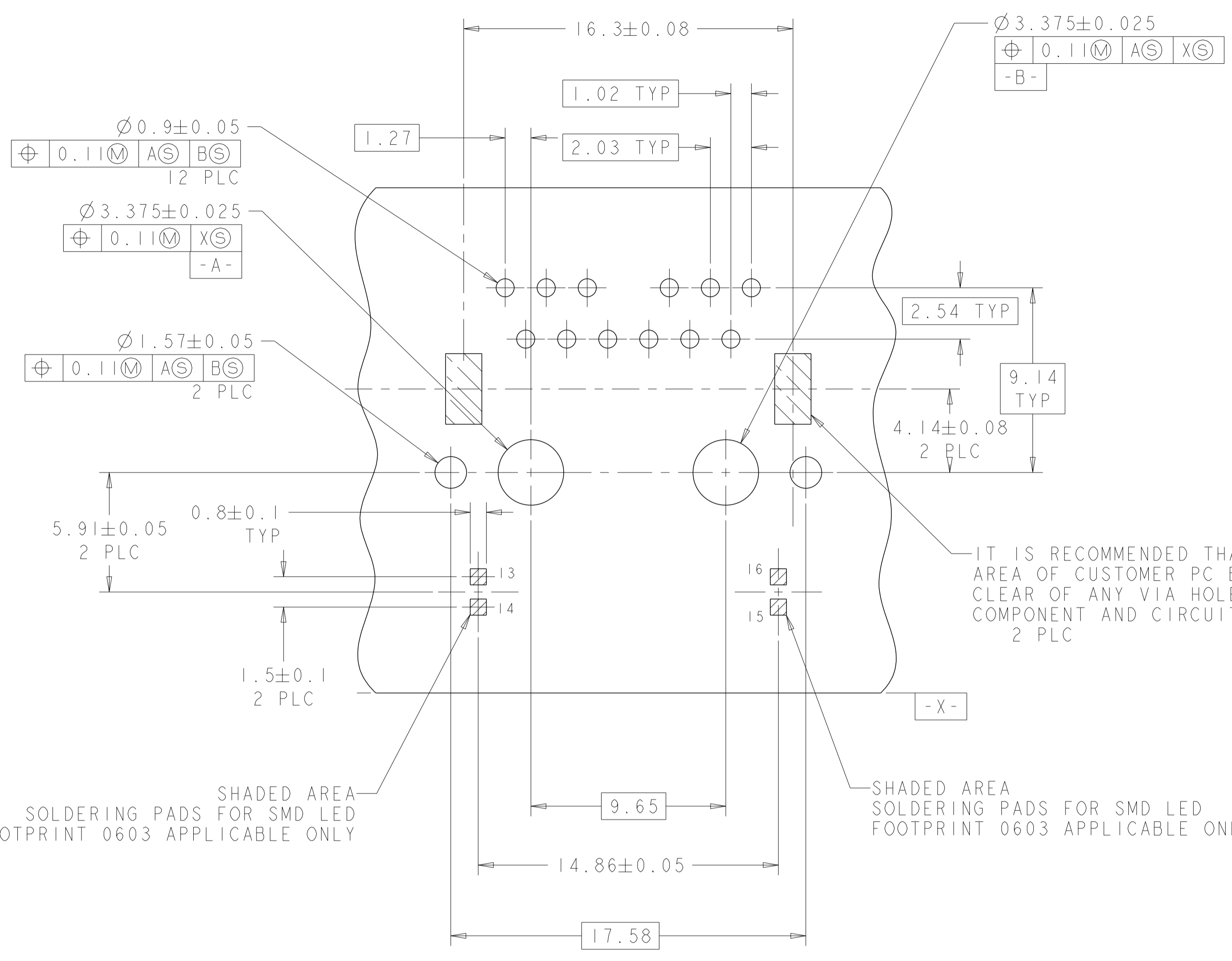


8G18 GIGABIT CIRCUIT 3 4

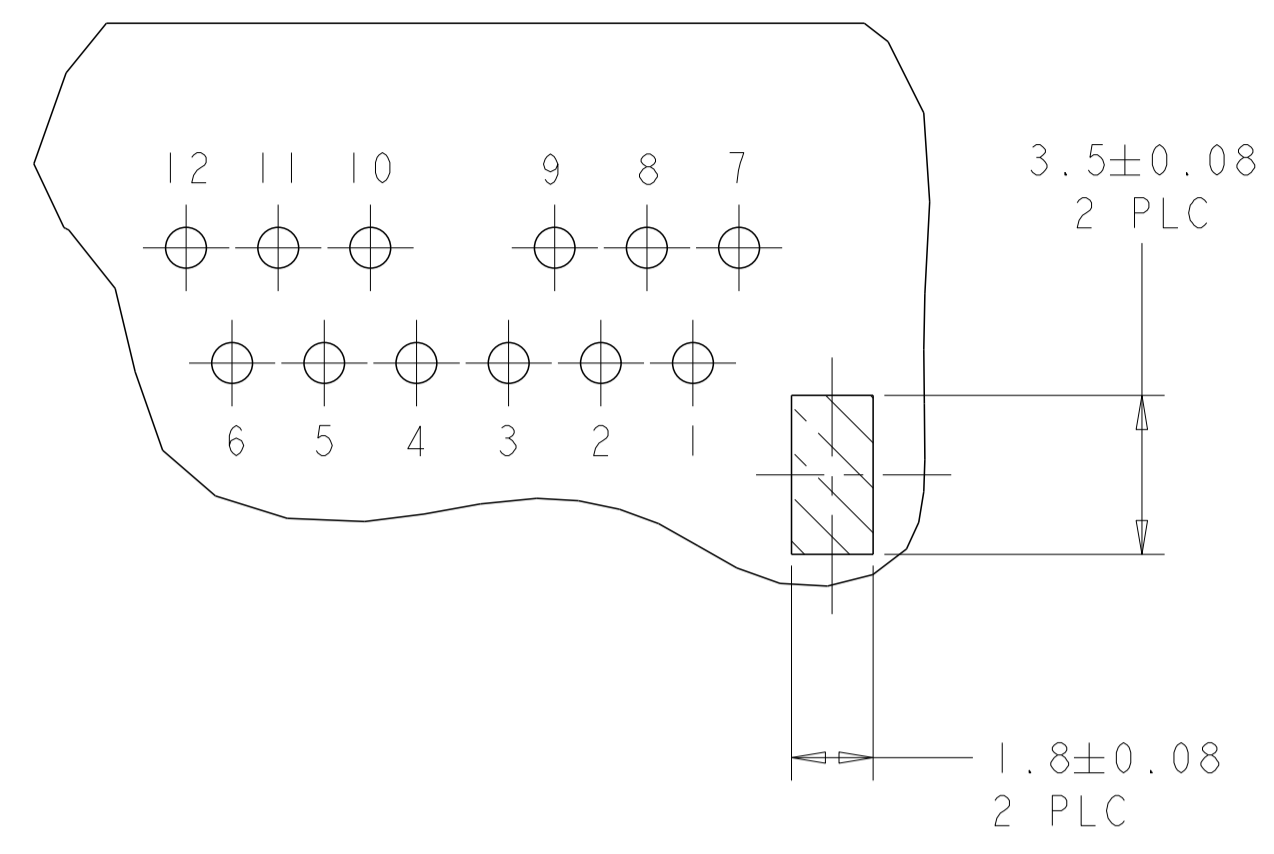


WAVE 8	WITH TRAY	1840882-2
BOTH 9	WITH REEL	1840882-1
SOLDER PROCESS	PACKAGE	PART NO.

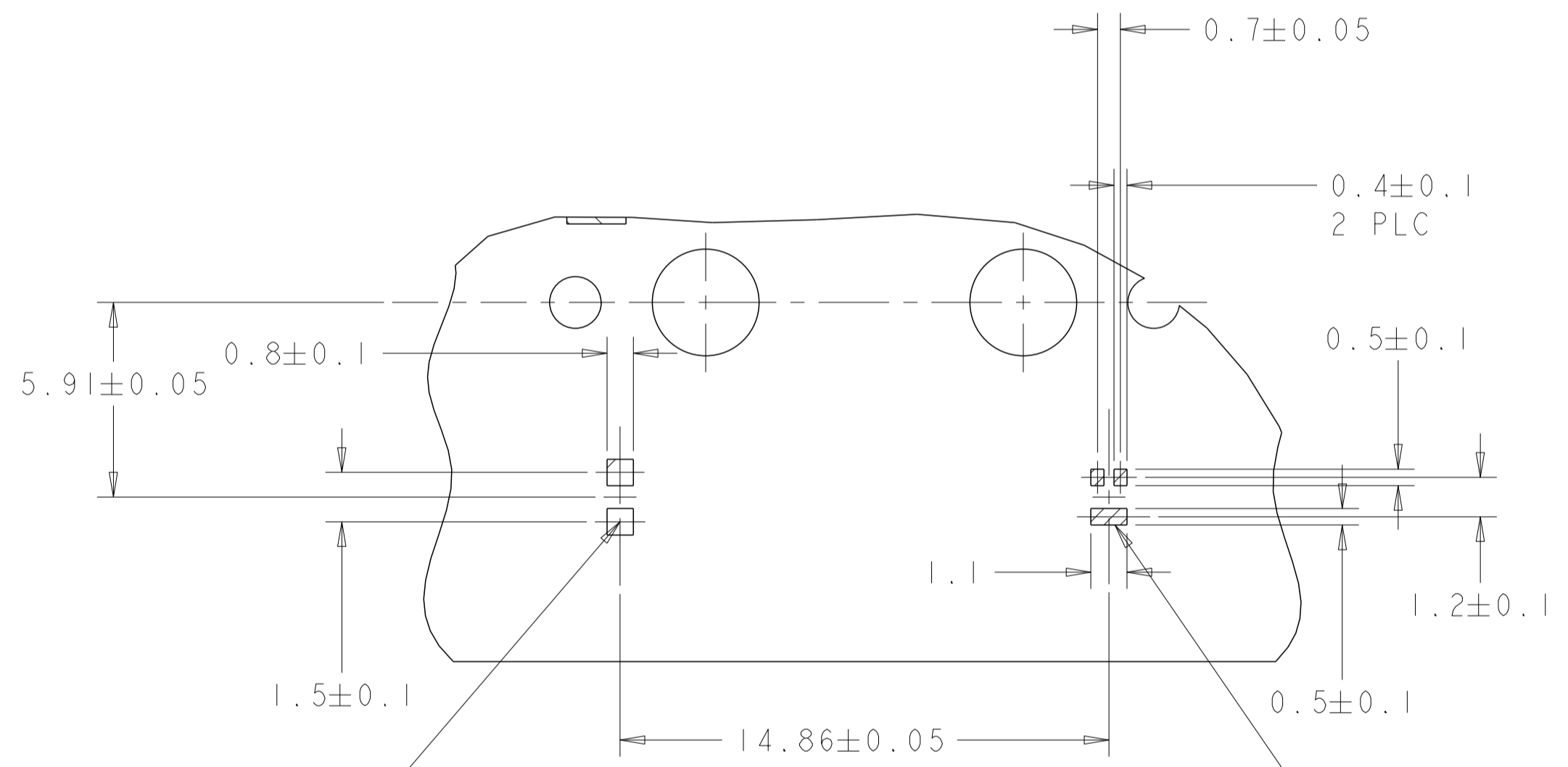
THIS DRAWING IS A CONTROLLED DOCUMENT.		OWN: ROY LIU/COLIN ZHOU 17NOV2010	trp CONNECTOR a bel group DONGGUAN CHINA
DIMENSIONS: mm		CHK: TOWER YU 17NOV2010	
TOLERANCES UNLESS OTHERWISE SPECIFIED:		APVD: HEI TH ZHU 17NOV2010	MODEL NAME: MAGJACK DESC: 1X1 8G18 GIGABIT TAB DOWN LOW PROFILE NO LED W/ LIGHT PIPE SIZE: A1 CAGE CODE: 1840882 DRAWING NO: 108-2207 APPLICATION SPEC: -
0 PLC ±0.25 1 PLC ±0.25 2 PLC ±0.25 3 PLC ±0.25 4 PLC ±0.25 ANGLES ±		MODEL NAME: MAGJACK DESC: 1X1 8G18 GIGABIT TAB DOWN LOW PROFILE NO LED W/ LIGHT PIPE SIZE: A1 CAGE CODE: 1840882 DRAWING NO: 108-2207 APPLICATION SPEC: -	
PRODUCT SPEC: 108-2207		CUSTOMER DRAWING SCALE: 5:1 SHEET 1 OF 2 REV E	



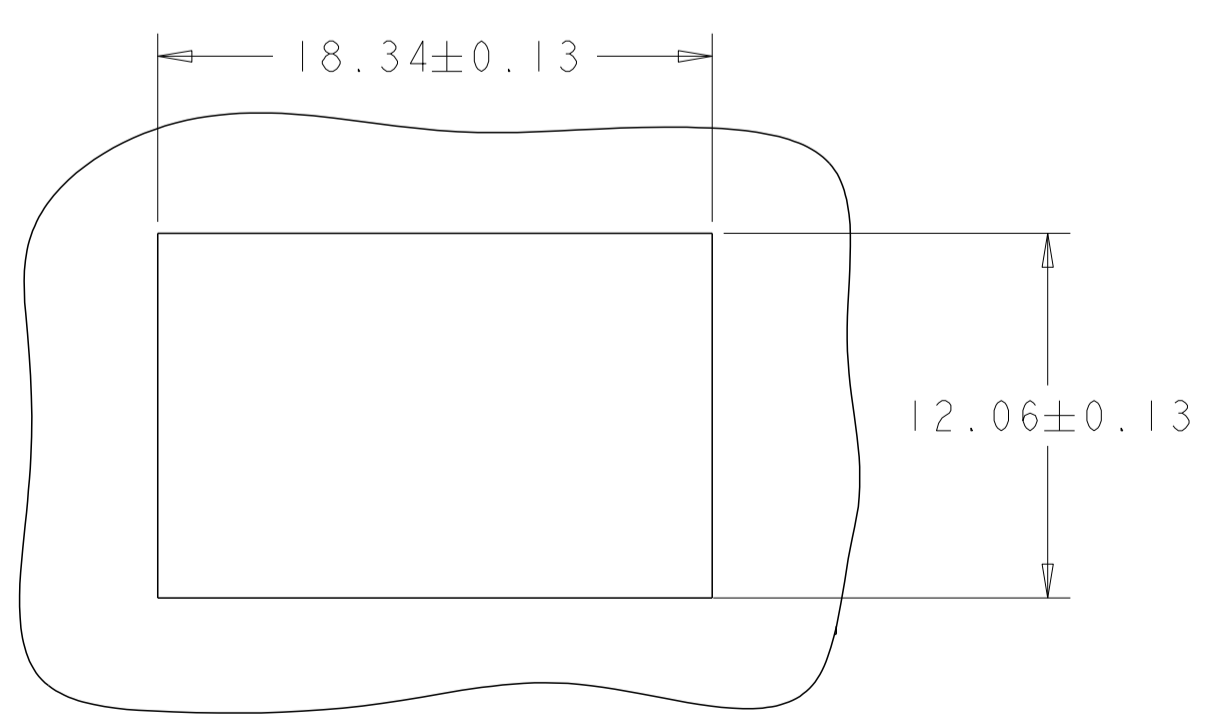
SUGGESTED PCB LAYOUT FOR SINGLE COLOR LED (COMPONENT SIDE)



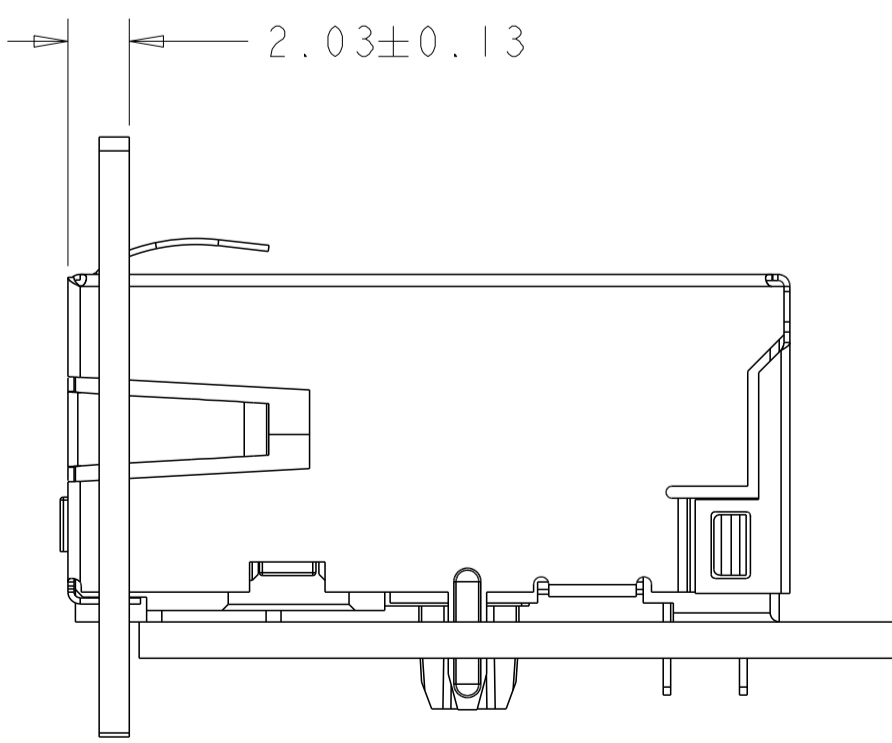
PIN DESIGNATIONS




SUGGESTED PCB LAYOUT FOR BI-COLOR LED (COMPONENT SIDE)



SUGGESTED PANEL OPENING



THIS DRAWING IS A CONTROLLED DOCUMENT.		DWG: ROY LIU/COLIN ZHU 17NOV2010		 trp CONNECTOR a bel group	DONGGUAN CHINA
DIMENSIONS: mm		CHK: TOWER YU 17NOV2010			
TOLERANCES UNLESS OTHERWISE SPECIFIED:		APVD: KEITH ZHU 17NOV2010		DESC: 1X1 8G18 GIGABIT TAB DOWN LOW PROFILE NO LED W/ LIGHT PIPE	
0 PLC ±0.25 1 PLC ±0.25 2 PLC ±0.25 3 PLC ±0.25 4 PLC ±0.25 ANGLES ±° APPLICATION SPEC ±°		MODEL NAME: MAGJACK		SIZE: A1	
PRODUCT SPEC: 108-2207		APPLICATION SPEC: -		CAGE CODE: 1840882	
CUSTOMER DRAWING				SCALE: 5:1 SHEET 2 OF 2 REV E	