

CXA-P1212B-WJL (8W DUAL OUTPUTS WITH DIMMING FUNCTION)

DESCRIPTION :

This low profile DC to AC Inverter is developed for dual lamps, low power LCD back-light. Application includes industrial PC and LCD monitor.

Applicable LCD; 8 to 12 inches double lamp type
 Lamp Voltage 600Vrms
 Lamp Current 6mArms
 Lamp Start Up Voltage 1700Vrms (Vin : 12V)



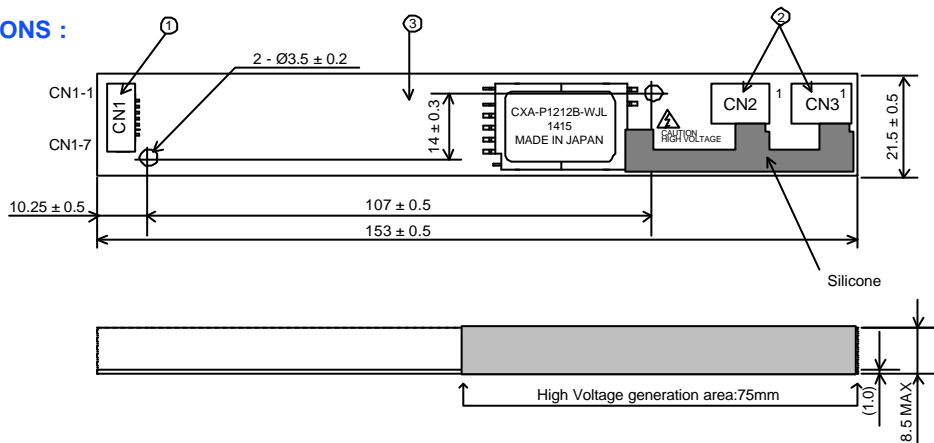
FEATURES :

- Wide operating temperature range
- Alarm signal function
- PWM dimming
- Current Feedback Circuit
- Silicon Coating in High Voltage area

TEMPERATURE & HUMIDITY :

Operating Temperature Range -10°C ~ +70°C
 Storage Temperature Range -30°C ~ +85°C
 Humidity 95 %RH max

DIMENSIONS :



Unit : mm
 Weight :25 (g) typ.

| No. | Part Description | Qty. | Note |
|-----|------------------|------|------------------------|
| 1 | PWB | 1 | UL94V-0 t=1.0mm |
| 2 | Connector CN1 | 1 | 53261-0790 (Molex) |
| 3 | Connector CN2,3 | 2 | SM02(8.0)B-BHS-1 (JST) |

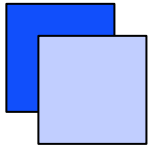
| CN1 : 53261-0790 (Molex) | | |
|--------------------------|-----------|-----------------------------------|
| Pin | Symbol | Note |
| CN1-1 | Vin | 10.8 ~ 13.2V |
| CN1-2 | | |
| CN1-3 | GND | 0 V |
| CN1-4 | | |
| CN1-5 | Vrmt | 0 ~ 0.4V : OFF 2.5V ~ Vin : ON |
| CN1-6 | Vst*1 | 0V / 5V |
| CN1-7 | Vbr / Rbr | 0 ~ 2.5V / 0 ~ 50kΩ |

| CN2 : SM02(8.0)B-BHS-1 (JST) | | |
|------------------------------|--------|------------------|
| Pin | Symbol | Note |
| CN2-1 | Vhigh1 | 600Vrms (6mArms) |
| CN2-2 | N.C. | - |
| CN2-3 | Vlow1 | (2V) |

| CN3 : SM02(8.0)B-BHS-1 (JST) | | |
|------------------------------|--------|------------------|
| Pin | Symbol | Note |
| CN3-1 | Vhigh2 | 600Vrms (6mArms) |
| CN3-2 | N.C. | - |
| CN3-3 | Vlow2 | (2V) |

*1. This is an output pin and it is active high (+5V) if any Lamp opens / fails

General Information Tel : +81-3-5201-7206 (Japan)
 Tel : +1-847-390-4439 (USA)
 Tel : +44-118-921-6206 (EU)



CXA-P1212B-WJL (8W DUAL OUTPUTS WITH DIMMING FUNCTION)

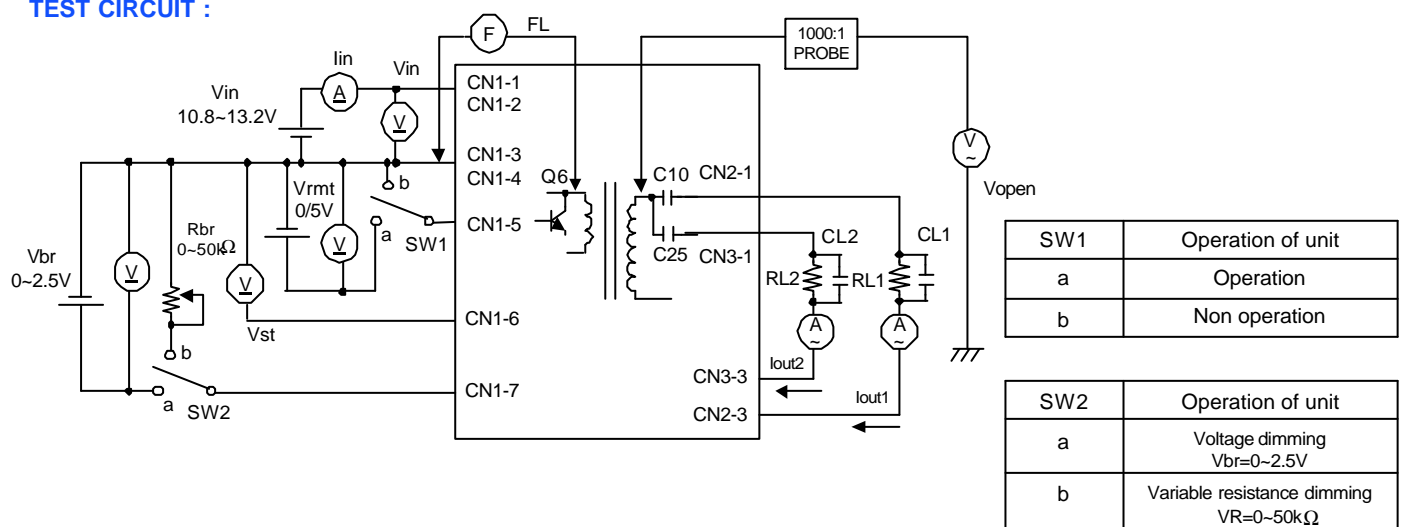
ELECTRICAL CHARACTERISTICS :

| Parameters | Symbol | Conditions | | | | Specifications | | | Unit | Note | |
|-----------------|--------------|------------|----------|-------------|-----------|--|------|------|------|-------|-----------------|
| | | Vin (V) | Vrmt (V) | Vbr / VR | Ta (°C) | RL1 (kΩ) // CL1(pF) RL2 (kΩ) // CL2(pF) | min. | typ. | | | max. |
| Output Current | Iout1 /Iout2 | 12 ± 1.2 | 5 ± 0.25 | 0V / 0Ω | -10 ~ +70 | 85 ~ 95 // 5 85 ~ 95 // 5 | 5.3 | 6.0 | 6.7 | mArms | Max Brightness. |
| | | 12 ± 0.6 | 5 ± 0.25 | 0V / 0Ω | 23 ± 5 | 90 // 5 90 // 5 | 5.5 | 6.0 | 6.5 | mArms | |
| | | 12 ± 0.6 | 5 ± 0.25 | 2.5V / 50kΩ | 23 ± 5 | 90 // 5 90 // 5 | 1.2 | 2.0 | 2.8 | mArms | Min Brightness. |
| Input Current 1 | Iin1 | 12 ± 0.6 | 5 ± 0.25 | 0V / 0Ω | -10 ~ +70 | 90 // 5 90 // 5 | - | 0.8 | 1.0 | Adc | |
| Input Current 2 | Iin2 | 12 ± 0.6 | 0 ± 0.25 | 0V / 0Ω | -10 ~ +70 | 85 ~ 95 // 5 85 ~ 95 // 5 | - | - | 1 | mAdc | |
| Frequency | FL | 12 ± 0.6 | 5 ± 0.25 | 0V / 0Ω | -10 ~ +70 | 85 ~ 95 // 5 85 ~ 95 // 5 | 35 | 40 | 45 | kHz | |
| Open Voltage | Vopen | 12 ± 1.2 | 5 ± 0.25 | 0V / 0Ω | -10 ~ +70 | ∞ ∞ | 1500 | 1700 | - | Vrms | |
| Alarm Signal | Vst | 12 ± 1.2 | 5 ± 0.25 | 0V / 0Ω | -10 ~ +70 | 85 ~ 95 // 5 ∞ | 4.5 | 5.0 | 5.5 | Vdc | RL2 // CL2 open |
| | | 12 ± 1.2 | 5 ± 0.25 | 0V / 0Ω | -10 ~ +70 | 85 ~ 95 // 5 ∞ | 4.5 | 5.0 | 5.5 | Vdc | RL1 // CL1 open |
| | | 12 ± 1.2 | 5 ± 0.25 | 0V / 0Ω | -10 ~ +70 | 85 ~ 95 // 5 85 ~ 95 // 5 | - | 0 | 0.5 | Vdc | Normal |

Note 1 : Please keep minimum of 2mm clearance (all directions) between inverter high voltage area as marked on mechanical drawing and any conductors.

Note 2 : Open circuit on all lamps for more than 3 seconds, will shut the inverter down

TEST CIRCUIT :



Note 3: In test circuit; 5pF capacitor across the load resistor is add to simulate LCD back-light stray capacitor.

General Information Tel : +81-3-5201-7206 (Japan)
Tel : +1-847-390-4439 (USA)
Tel : +44-118-921-6206 (EU)

All specification are subject to change without notice.