

THIS DRAWING IS UNPUBLISHED.

RELEASED FOR PUBLICATION OCT ,2005.

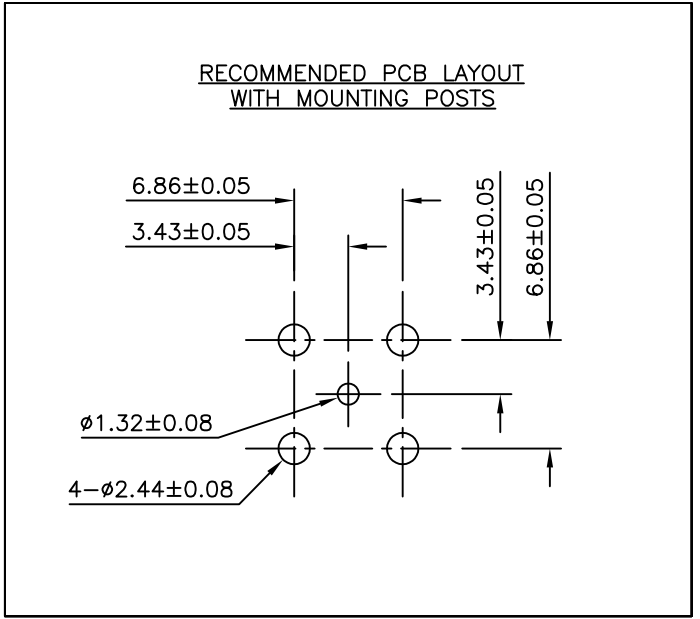
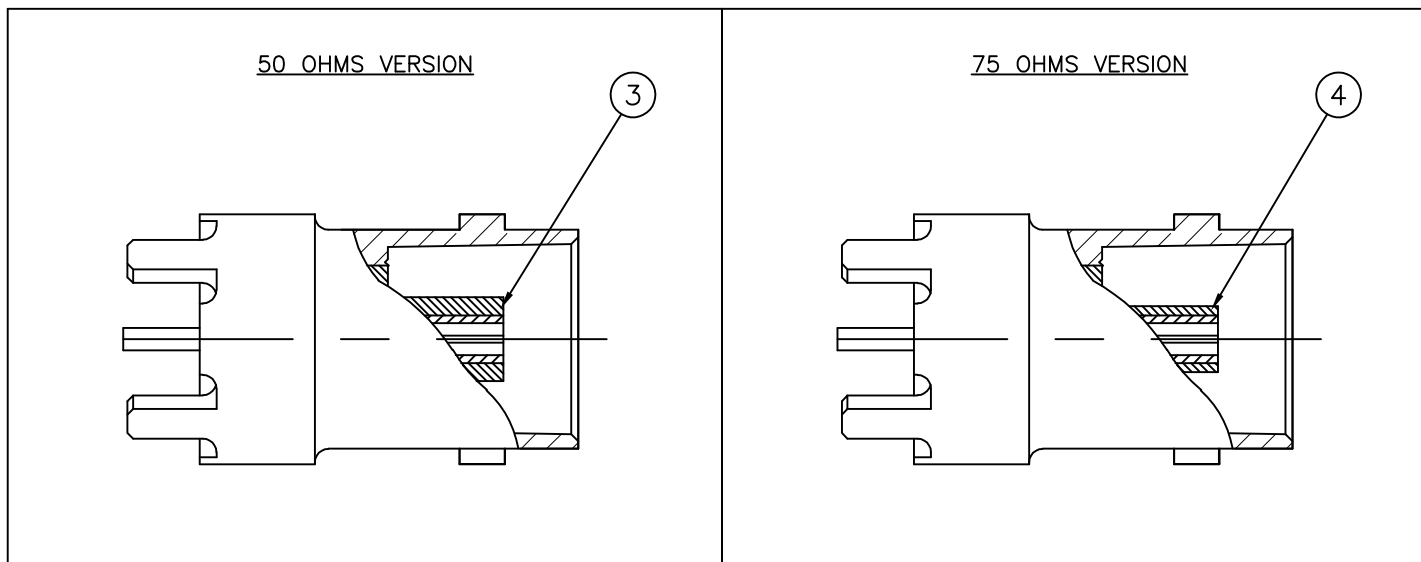
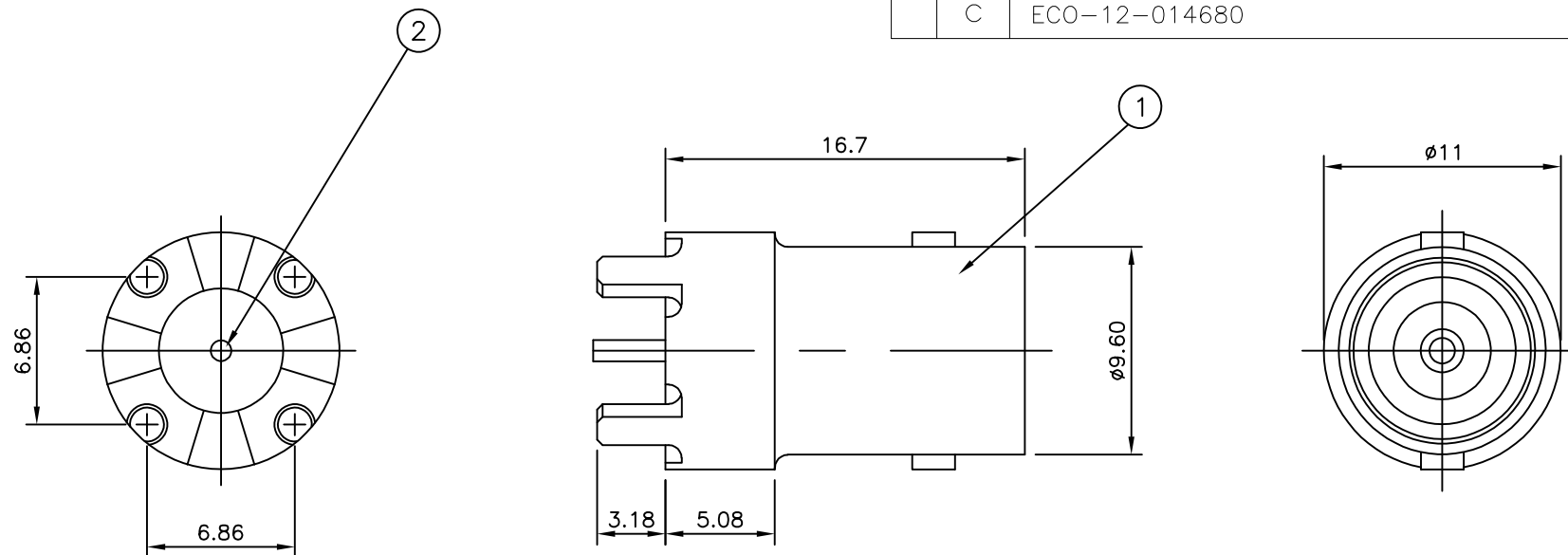
© COPYRIGHT 2005 By -

ALL RIGHTS RESERVED.

LOC	DIST	REVISIONS			
P	LTR	DESCRIPTION	DATE	DWN	APVD
E	B	B1	REVISED PER ECO-11-005033	31MAR11	RK HMR
		C	ECO-12-014680	20Aug2012	TITAN MARTIN

NOTES

- ① 100 TRAY PACK IN ACCORDANCE WITH AMP SPEC 107-3275
- ② SINGLE PACK IN ACCORDANCE WITH AMP SPEC 107-3275
- ③ Au PLATING
- ④ Ni PLATING



		Obsolete	Obsolete					
		1	1	-	-	TPX	INSULATOR	4
		-	-	1	1	TPX	INSULATOR	3
		1	1	1	1	PHOS BRONZE	③ CONTACT	2
		1	1	1	1	ZINC ALLOY	④ BODY	1
		5--3	5--2	5--1	5--0	MATERIAL DESCRIPTION		ITEM
		①	②	③	④	QUANTITY PER ASSY		PARTS LIST

THIS DRAWING IS A CONTROLLED DOCUMENT.		DWN RITA ZUO 11 Mar 09	TE Connectivity	
DIMENSIONS: mm		CHK ANSON MA 11 Mar 09		
TOLERANCES UNLESS OTHERWISE SPECIFIED:		APVD BOB ZHAO 11 Mar 09	NAME	
0 PLC ± 0.5		PRODUCT SPEC	BNC STRAIGHT PCB SOCKET	
1 PLC ± 0.3		108-112000	-	
2 PLC ± 0.2		APPLICATION SPEC	-	
3 PLC ± -		SIZE	CAGE CODE	DRAWING NO
4 PLC ± -		-	A3	00779
ANGLES ± -		WEIGHT	G-1634506	
FINISH		CUSTOMER DRAWING		RESTRICTED TO
-		SCALE NTS		SHEET 1 OF 1
				REV C