

**PROPER USE GUIDELINES**

Cumulative Trauma Disorders can result from the prolonged use of manually powered hand tools. Hand tools are intended for occasional use and low volume applications. A wide selection of powered application equipment for extended-use, production operations is available.

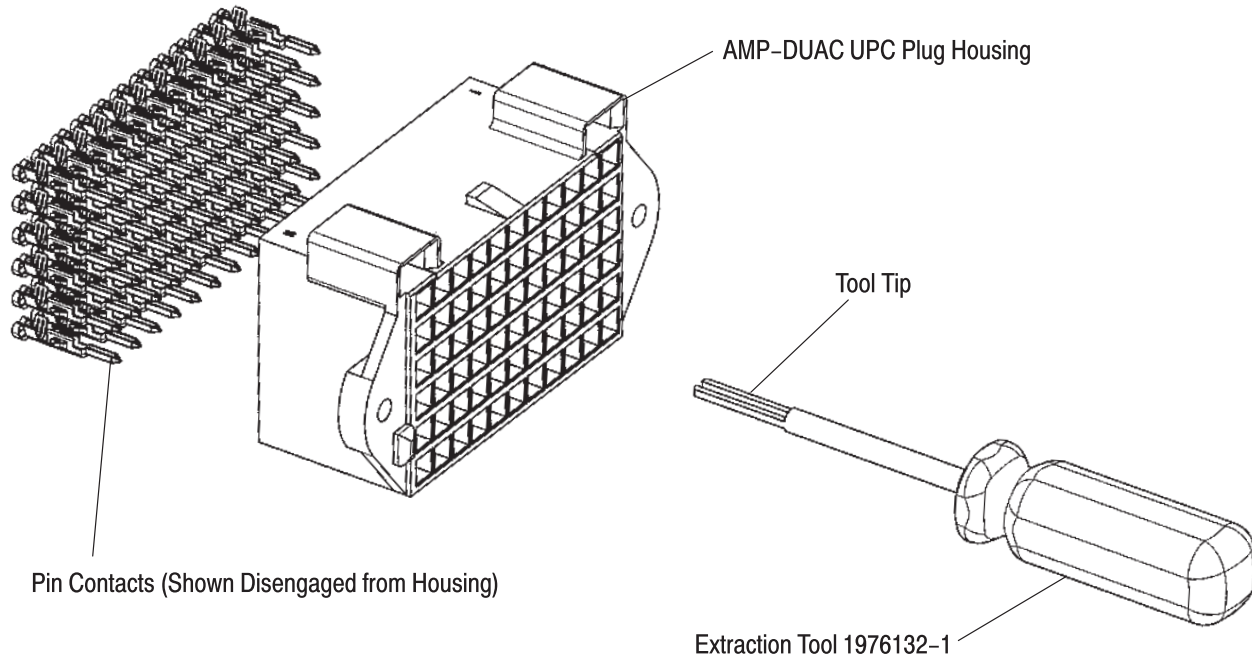



Figure 1

**1. INTRODUCTION**

This instruction sheet covers the procedures to remove AMP-DUAC UPC Pin Contacts from plug housings using Extraction Tool 1976132-1.

Read these instructions thoroughly before using the die assemblies.

**NOTE**  All dimensions on this document are in metric units. Figures and illustrations are for identification only and are not drawn to scale.

**2. DESCRIPTION**

The extraction tool features an extraction tip and handle. The extraction tip is designed to couple the shaft of the pin contact on the two sides containing the locking lance.



**CAUTION** Do NOT use an unintended tool to remove contacts from the housing. This can damage the housing and/or the contacts. Using the wrong tool may weaken the ability to retain the reinserted contacts.

**3. EXTRACTION PROCEDURE** (Figure 1)

1. Push the desired lead forward till it bottoms in the cavity. This will provide clearance for the lance to be depressed.
2. From the mating side of the housing, carefully insert the extraction tool tip into the housing until it bottoms.
3. Align the prongs on the extraction tool tip with the locking lances.



**CAUTION** Do NOT pry or twist the tool when it is inserted in the housing. Damage to the tool, contact, and/or housing may result.

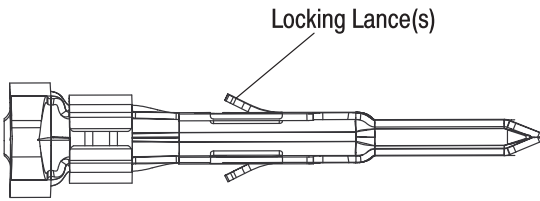


Figure 2

4. Firmly grip the housing and apply a light pressure towards the housing with the handle of the extraction tool to disengage the locking lance on the contact.
5. Lightly pull on the wire connected to the pin contact to remove it from the housing.
6. After extraction, check the contact, locking lance, and housing for damage. See Figure 2.



*If the extracted contact is NOT damaged, it may be reinserted. Check the locking lances carefully before reinsertion. The locking lances may need to be realigned before the contact can be reused. DO NOT reuse or reterminate a defective or damaged contact.*

#### 4. MAINTENANCE AND INSPECTION

It is recommended that the tool be inspected upon arrival and at regularly scheduled intervals thereafter to ensure the tool has not become damaged during shipment or handling. It is recommended that the tool be stored in a clean, dry place, and cleaned with a soft, lint free cloth.

#### 5. REPAIR/REPLACEMENT (Figure 3)

Extraction Tool 1976132-1 is not repairable and should be replaced when it is worn or damaged.

Additional extraction tools may be ordered through your Tyco Electronics Representative, or call 1-800-526-5142, or send a facsimile of your purchase order to 1-717-986-7605, or write to:

CUSTOMER SERVICE (38-35)  
TYCO ELECTRONICS CORPORATION  
P.O. BOX 3608  
HARRISBURG, PA 17105-3608

#### 6. REVISION SUMMARY

- Initial release of document

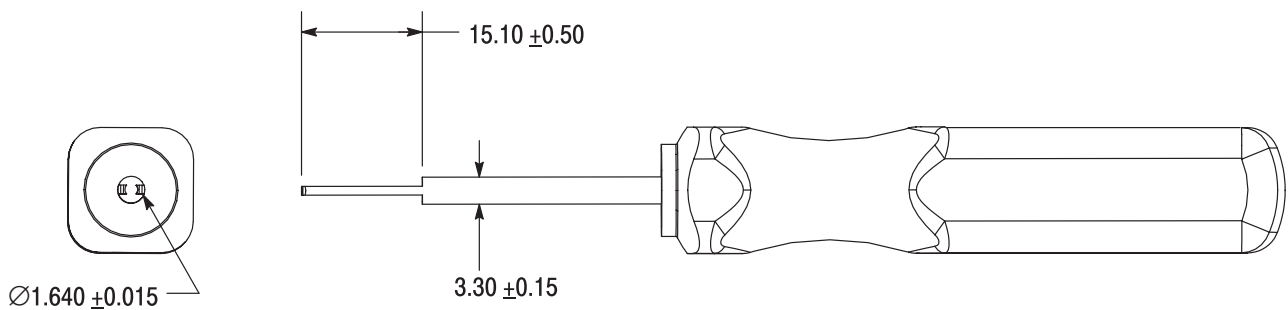


Figure 3