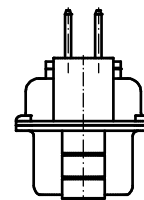
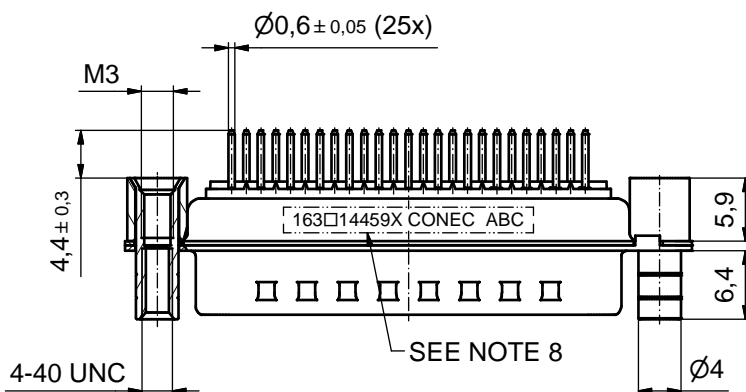
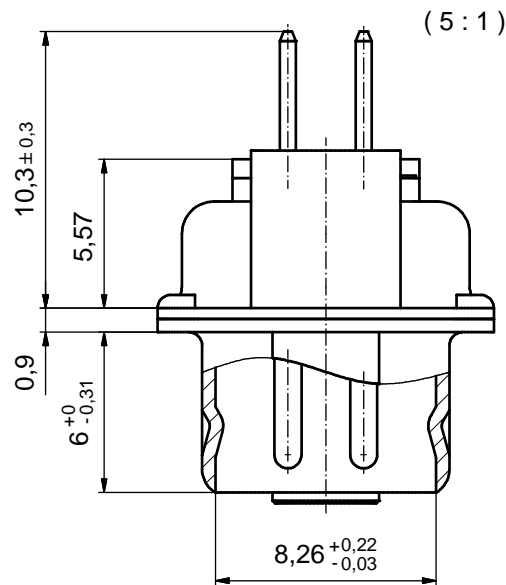
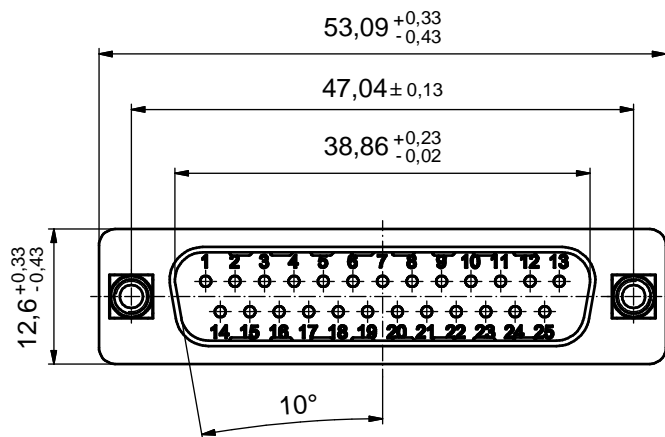


(b)



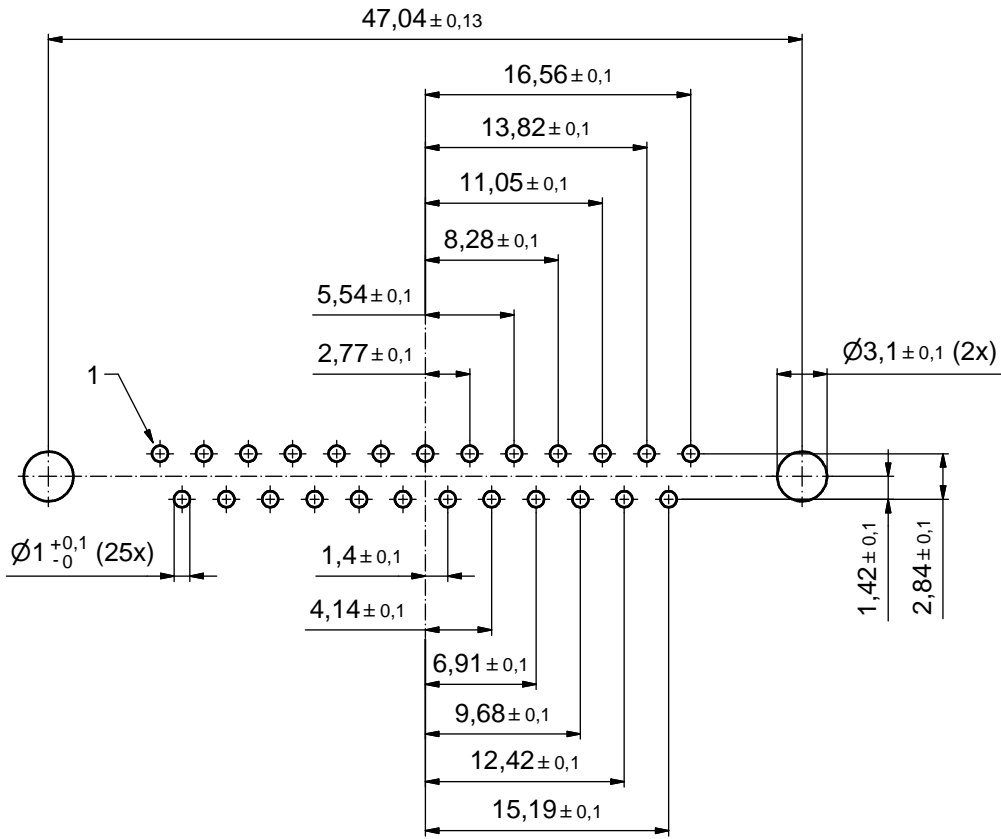
NOTES: (b)

- METALSHELLS: STEEL; min. 315µm TIN over 40-80µm NICKEL
- INSULATORS: PBT GF UL 94 V-0; BLACK
- CONTACTS: COPPER ALLOY; PLATING (SEE PART NO.):  
 PLEASE ADD A for GOLD FLASH over NICKEL (PREFERRED TYPE)  
 PLEASE ADD B for 20µm HARD GOLD over min. 50µm NICKEL  
 PLEASE ADD C for 30µm HARD GOLD over min. 50µm NICKEL
- THREADED REAR SPACERS / FRONT THREADED LOCKS:  
 COPPER ALLOY; min. 200µm TIN over 80µm NICKEL
- SLEEVES: COPPER ALLOY; min. 200µm TIN over 80µm NICKEL
- MAXIMUM TORQUE VALUE FOR THREAD: 6 in.LB
- P.C.B. HOLE DRILLINGS ON SHEET 2
- CONNECTOR IS PART MARKED: 163□14459X CONEC ABC (see note 3)

RoHS compliant

THIS DRAWING MAY NOT BE COPIED OR REPRODUCED IN ANY WAY, AND MAY NOT BE PASSED ON TO A THIRD PARTY WITHOUT WRITTEN PERMISSION. OWNERSHIP AND COPYRIGHT OF CONEC GmbH DO NOT ALTER CAD DRAWING BY HAND				tolerance		scale: 2:1 (5:1)
				dim. in mm		material: SEE NOTES
				date	name	title: <b>D-SUB MALE</b> 25pos. SOLDER PIN STRAIGHT with threaded rear spacer / front threaded lock
				drawn 29.09.2015	Heinrich	
				appd. 29.09.2015	Lehmenkühler	
			norm		dwg no:	
			d-old	16K1A1729	(b) 16K1A3717	
4 x b	Ä5835	29.09.15	M.H.			DIN-A3
a	Original					sh: 1/2
rev.	description	date	name	part no: (b) 163□14459X (see note 3)		

P.C.B. HOLE DRILLINGS  
( P.C.B. TOP SIDE )



THIS DRAWING MAY NOT BE COPIED OR REPRODUCED IN ANY WAY, AND MAY NOT BE PASSED ON TO A THIRD PARTY WITHOUT WRITTEN PERMISSION. OWNERSHIP AND COPYRIGHT OF CONEC GmbH  DO NOT ALTER CAD DRAWING BY HAND				tolerance		scale: 3:1	
					dim. in mm	material: SEE SHEET 1	
				date	name	title: P.C.B. HOLE DRILLINGS D-SUB MALE 25pos. SOLDER PIN STRAIGHT with threaded rear spacer / front threaded lock	
				drawn 29.09.2015	Heinrich		
				appd. 29.09.2015	Lehmenkühler		
				norm		dwg no:	DIN-A3
				d-old		16K1A3717	sh: 2/2
a	Original						
rev.	description	date	name	<b>CONEC®</b>		part no: SEE SHEET 1	