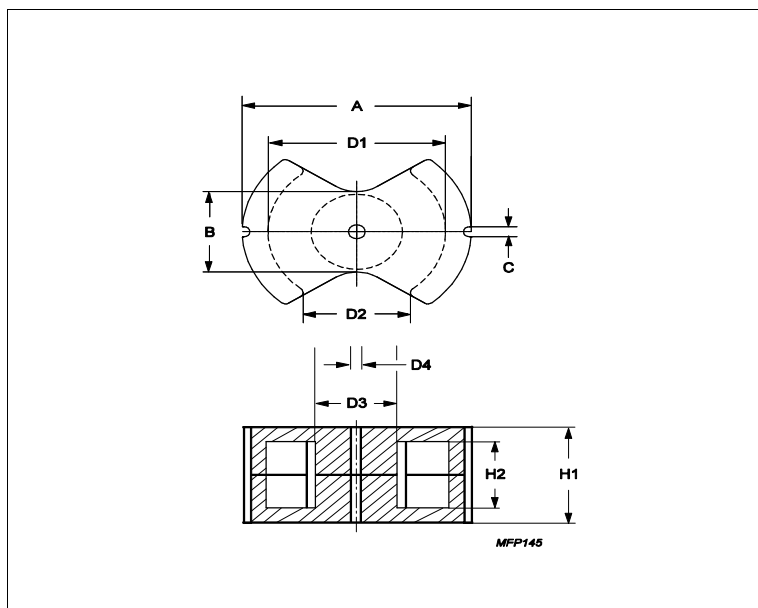


## Core **PM62/49**



Effective parameters			
	Parameter	Value	Unit
$\Sigma(I/A)$	core factor (C1)	0.191	mm <sup>-1</sup>
<b>Ve</b>	effective volume	62000	mm <sup>3</sup>
<b>Le</b>	effective length	109	mm
<b>Ae</b>	effective area	570	mm <sup>2</sup>
<b>Amin</b>	minimum area	470	mm <sup>2</sup>
<b>m</b>	PM62/49	≈ 280	g/set

Dimensions for product: PM62/49						
	Nom	Tol +	Tol -	Max	Min	Unit
<b>A</b>	62.00	0.00	2.00	62.00	60.00	mm
<b>B</b>				28.50		mm
<b>C</b>	4.00	1.00	0.00	5.00	4.00	mm
<b>D1</b>	48.80	1.50	0.00	50.30	48.80	mm
<b>D2</b>					29.00	mm
<b>D3</b>	25.50	0.00	0.80	25.50	24.70	mm
<b>D4</b>	5.40	0.20	0.00	5.60	5.40	mm
<b>H1</b>	49.00	0.00	0.40	49.00	48.60	mm
<b>H2</b>	33.40	0.80	0.00	34.20	33.40	mm

Inductance factor				
Material	Value	Tol +	Tol -	Unit
3C94	12000	25%	25%	nH/turns <sup>2</sup>

Power loss: 3C94				
Measuring conditions			Max	Unit
100 kHz	200 mT	100 °C	34.000	W/set

Bsat					
Measuring conditions			Material	Min	Unit
25 kHz	250 A/m	100 °C	3C94	320	mT