

4

3

2

1

THIS DRAWING IS UNPUBLISHED.

RELEASED FOR PUBLICATION

ALL RIGHTS RESERVED.

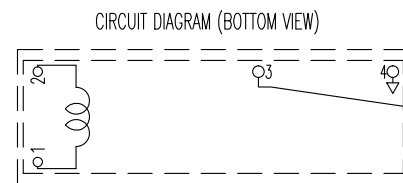
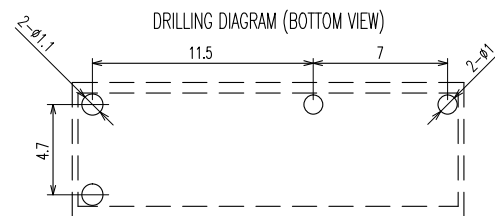
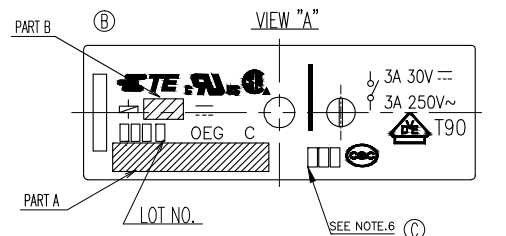
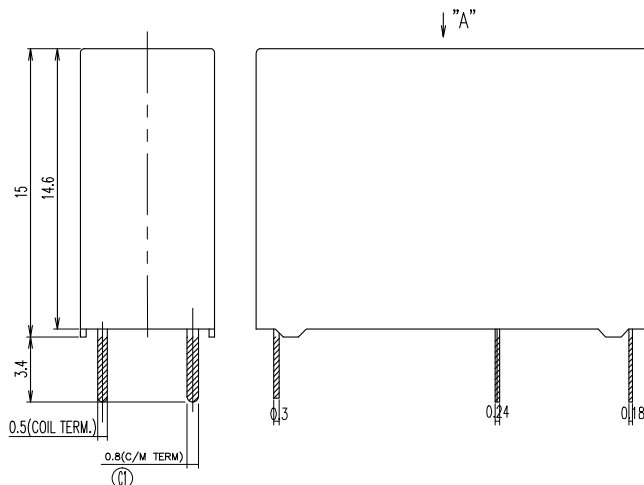
© COPYRIGHT -- By TE Connectivity

LOC  
HBDIST  
--

REVISIONS

P	LTR	DESCRIPTION	DATE	DWN	APVD
C1		CHANGE THE WIDTH OF TERMINAL FROM 0.6MM TO 0.8MM	ECO-14-011875	08-AUG-14	Q.L B.F

DIAGRAM DIMENSION	TOLERANCE
0.99mm max.	±0.1mm
1 - 2.99mm	±0.2mm
3mm min.	±0.3mm



NOTE:

1. LOT NO SYSTEM AS FOLLOWING:



② 2. TERMINAL DIMENSION IS BEFORE SOLDER DIP.

③ 3. ONE CHARACTER DISTINGUISH THE LINE IDENTITY, SUCH AS: A, B, ...

④ 4. FOR THE TIN-PLATING OF THE PINS:

+0.1mm FOR WIDTH, THICKNESS AND DIAMETER.

+0.5mm FOR LENGTH.

⑤ 5. MARKING FROM INK CHANGE TO LASER

⑥ 6. ADD LOT NO. SYSTEM AS FOLLOWING;



I. DIGITS FOR DAY OF THE WEEK

1...MONDAY IN THIS WEEK;

2...TUESDAY IN THIS WEEK;

.....

7...SUNDAY IN THIS WEEK

II. DIGITS FOR SHIFT OF THE DAY

1...DAY SHIFT IN THIS DAY;

2...NIGHT SHIFT IN THIS DAY;

III. ONE CHARACTER DISTINGUISH THE

LINE IDENTITY, SUCH AS: A,B,....Z

THIS DRAWING IS A CONTROLLED DOCUMENT.

DIMENSIONS:	TOLERANCES UNLESS OTHERWISE SPECIFIED:
mm	0 PLC ±
	1 PLC ±
	2 PLC ±
	3 PLC ±
	4 PLC ±
	RFC ANGLES ±
MATERIAL	FINISH

DWN

FENGSHENG.HU

CHK

BANGHUA.YU

APVD

SUNNY.ZHANG

PRODUCT SPEC

APPLICATION SPEC

WEIGHT

-

CUSTOMER DRAWING

TE Connectivity

NAME

PCJ SPEC ,301Y

SIZE

A3

CAGE CODE

00779

DRAWING NO

C=1721142

RESTRICTED TO

-

SCALE

5:1

SHEET

1 of 2

REV

C1

THIS DRAWING IS UNPUBLISHED. RELEASED FOR PUBLICATION  
 © COPYRIGHT -- By TE Connectivity ALL RIGHTS RESERVED.

LOC	DIST	REVISIONS					
HB	-	P	LTR	DESCRIPTION	DATE	DWN	APVD
		-		SEE SHEET 1	-	-	-

n	PCJ-124D3MH ,301Y	2-1721142-8	107-79014 (TRAY)	SEAL UP INSPECTION ON EVERY PRODUCT	24V	PCJ-124D3MH
m	PCJ-118D3MH ,301Y	-	107-79014 (TRAY)	SEAL UP INSPECTION ON EVERY PRODUCT	18V	PCJ-118D3MH
l	PCJ-112D3MH ,301Y	2-1721142-6	107-79014 (TRAY)	SEAL UP INSPECTION ON EVERY PRODUCT	12V	PCJ-112D3MH
k	PCJ-109D3MH ,301Y	-	107-79014 (TRAY)	SEAL UP INSPECTION ON EVERY PRODUCT	9V	PCJ-109D3MH
j	PCJ-106D3MH ,301Y	-	107-79014 (TRAY)	SEAL UP INSPECTION ON EVERY PRODUCT	6V	PCJ-106D3MH
i	PCJ-105D3MH ,301Y	-	107-79014 (TRAY)	SEAL UP INSPECTION ON EVERY PRODUCT	5V	PCJ-105D3MH
h	PCJ-103D3MH ,301Y	-	107-79014 (TRAY)	SEAL UP INSPECTION ON EVERY PRODUCT	3V	PCJ-103D3MH
g	PCJ-124D3M ,301Y	2-1721142-1	107-79014 (TRAY)		24V	PCJ-124D3M
f	PCJ-118D3M ,301Y	-	107-79014 (TRAY)		18V	PCJ-118D3M
e	PCJ-112D3M ,301Y	1-1721142-9	107-79014 (TRAY)		12V	PCJ-112D3M
d	PCJ-109D3M ,301Y	-	107-79014 (TRAY)		9V	PCJ-109D3M
c	PCJ-106D3M ,301Y	-	107-79014 (TRAY)		6V	PCJ-106D3M
b	PCJ-105D3M ,301Y	-	107-79014 (TRAY)		5V	PCJ-105D3M
a	PCJ-103D3M ,301Y	-	107-79014 (TRAY)		3V	PCJ-103D3M
No	EC TYPE NAME	TE PART NO	PACKING SPECIFICATION	DESCRIPTION	PART B	PART A

RELAY TYPE

		Sn-Ag-Cu	SOLDER	18
94V-0		PBT	CASE	17
		UV	SEAL(CASE) JUST FOR WASH TIGHT	16
		EPOXY	SEAL(CASE AND BASE)	15
		3UEW	MAGNETIC WIRE	14
94V-0		PBT	CARD	13
		Ag ALLOY	STATIONARY CONTACT	12
	SOLDER DIP	Cu ALLOY	STATIONARY TERMINAL	11
		Ag ALLOY	MOVABLE CONTACT	10
	SOLDER DIP	Cu ALLOY	MOVABLE SPRING	9
94V-0		PBT	BASE	8
		STAINLESS	HINGE SPRING	7
	NIP	STEEL	ARMATURE	6
	NIP	STEEL	CORE	5
	NIP	STEEL	YOKE	4
	SOLDER DIP	Cu ALLOY	COIL TERMINAL B	3
	SOLDER DIP	Cu ALLOY	COIL TERMINAL A	2
94V-0		PBT	BOBBIN	1
INCOMBUSTIBILITY	TREATMENT	MATERIAL	DESCRIPTION	ITEM

THIS DRAWING IS A CONTROLLED DOCUMENT.

DIMENSIONS: mm	TOLERANCES UNLESS OTHERWISE SPECIFIED: 0 PLC ±- 1 PLC ±- 2 PLC ±- 3 PLC ±- 4 PLC ±- ANGLES ±-	DWN FENGSHENG.HU CHK BANGHUA.YU APVD SJUNNY.ZHANG	TE Connectivity	
MATERIAL	FINISH	NAME PCJ SPEC ,301Y	SIZE A3	CAGE CODE 00779
		APPLICATION SPEC	DRAWING NO C=1721142	RESTRICTED TO
		WEIGHT	SCALE 5:1	SHEET 2 OF 2
		CUSTOMER DRAWING	REV C1	