

## Contact insert - VC-D4-BU65-PE - 1855089

Please be informed that the data shown in this PDF Document is generated from our Online Catalog. Please find the complete data in the user's documentation. Our General Terms of Use for Downloads are valid (<http://phoenixcontact.com/download>)

Female contact carrier, for turned crimp contacts, type VC 4, 65-pos. + PE



### Product Features

- ✔ Positions 15, 30, 50, and 65 are available, in accordance with housing sizes VC 1 - VC 4.
- ✔ Contact types meet the requirements of IEC 60352/DIN EN 60352
- ✔ Contact carriers have two further capacitive PE contacts
- ✔ Pin and socket contacts can be used on both the plug and device sides
- ✔ The connection data of 250 V/10 A corresponds to that of the HEAVYCON DD series



### Key commercial data

Packing unit	1 pc
GTIN	 4 017918 159351
Weight per Piece (excluding packing)	64.0 GRM
Custom tariff number	85366990
Country of origin	Poland

### Technical data

#### Electrical characteristics

Note	Connectors may only be connected/disconnected when under no load.
Rated voltage	250 V
Rated voltage (III/3)	250 V
Rated current	10 A
	10 A
Rated surge voltage	4 kV
Number of positions	65

# Contact insert - VC-D4-BU65-PE - 1855089

## Technical data

### Ambient conditions

Ambient temperature (operation)	-40 °C ... 125 °C
---------------------------------	-------------------

### Mechanical characteristics

Conductor cross section	0.14 mm <sup>2</sup> ... 1.5 mm <sup>2</sup> (stranded)
Connection cross section AWG	22 ... 16
Stripping length of the individual wire	8 mm
Conductor cross section stranded max.	1.5 mm <sup>2</sup>
Insertion/withdrawal cycles	>= 500

### General

Type	VC4
Series	VC-D
Connection method	Crimp connection
Inflammability class according to UL 94	V0
Pollution degree	2
Surge voltage category	III

### Material data

Contact carrier material	PA-GF
--------------------------	-------

## Classifications

### eCl@ss

eCl@ss 4.0	27140816
eCl@ss 4.1	27140816
eCl@ss 5.0	27143424
eCl@ss 5.1	27143424
eCl@ss 6.0	27143424
eCl@ss 7.0	27440209
eCl@ss 8.0	27440209

### ETIM

ETIM 2.0	EC000438
ETIM 3.0	EC000438
ETIM 4.0	EC000438
ETIM 5.0	EC000438

### UNSPSC

UNSPSC 6.01	30211923
-------------	----------

# Contact insert - VC-D4-BU65-PE - 1855089

## Classifications

### UNSPSC

UNSPSC 7.0901	39121522
UNSPSC 11	39121522
UNSPSC 12.01	39121522
UNSPSC 13.2	39121522

## Approvals

### Approvals

Approvals

UL Recognized / cUL Recognized / GOST / GOST / cULus Recognized

Ex Approvals

Approvals submitted

### Approval details

UL Recognized	
Nominal current IN	4 A
Nominal voltage UN	250 V


cUL Recognized	
Nominal current IN	4 A
Nominal voltage UN	250 V

GOST	
------	--

## Contact insert - VC-D4-BU65-PE - 1855089

### Approvals

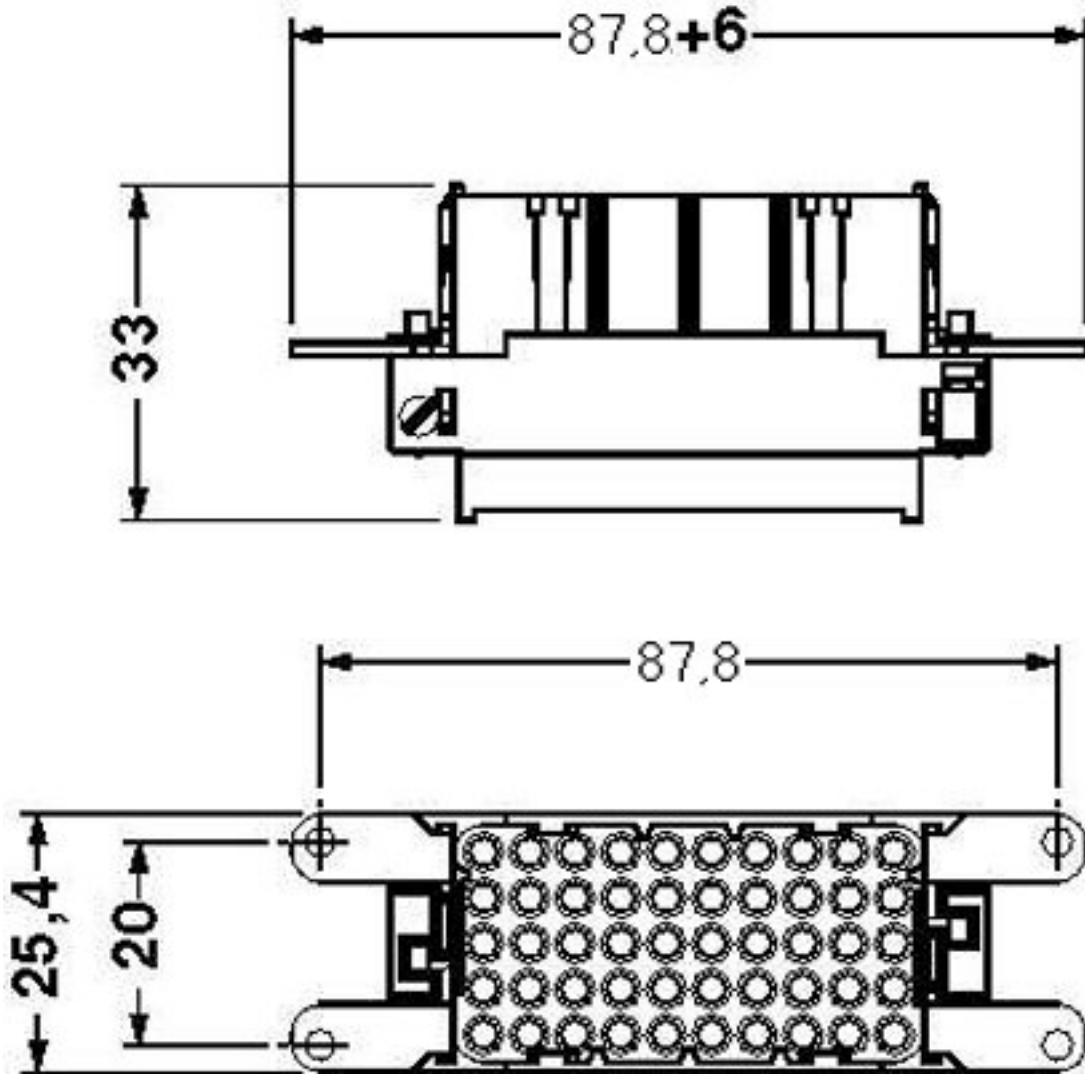
GOST 

cULus Recognized 

### Drawings

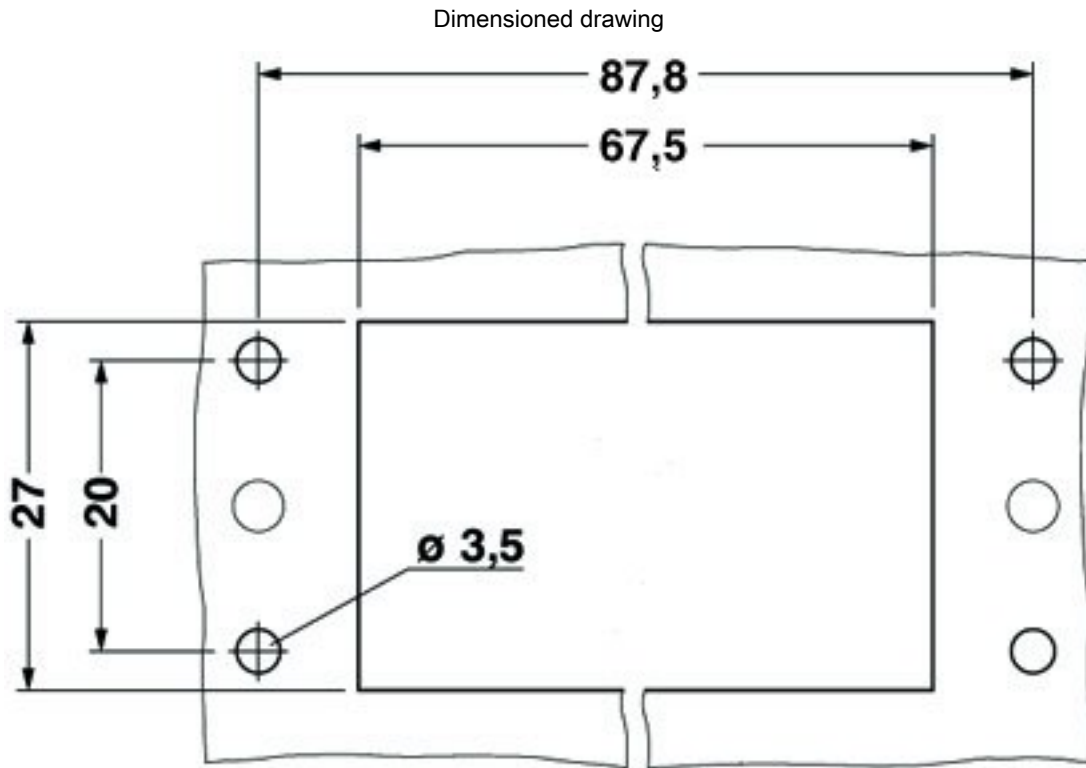
# Contact insert - VC-D4-BU65-PE - 1855089

Dimensioned drawing



Contact insert

## Contact insert - VC-D4-BU65-PE - 1855089



Panel cutout