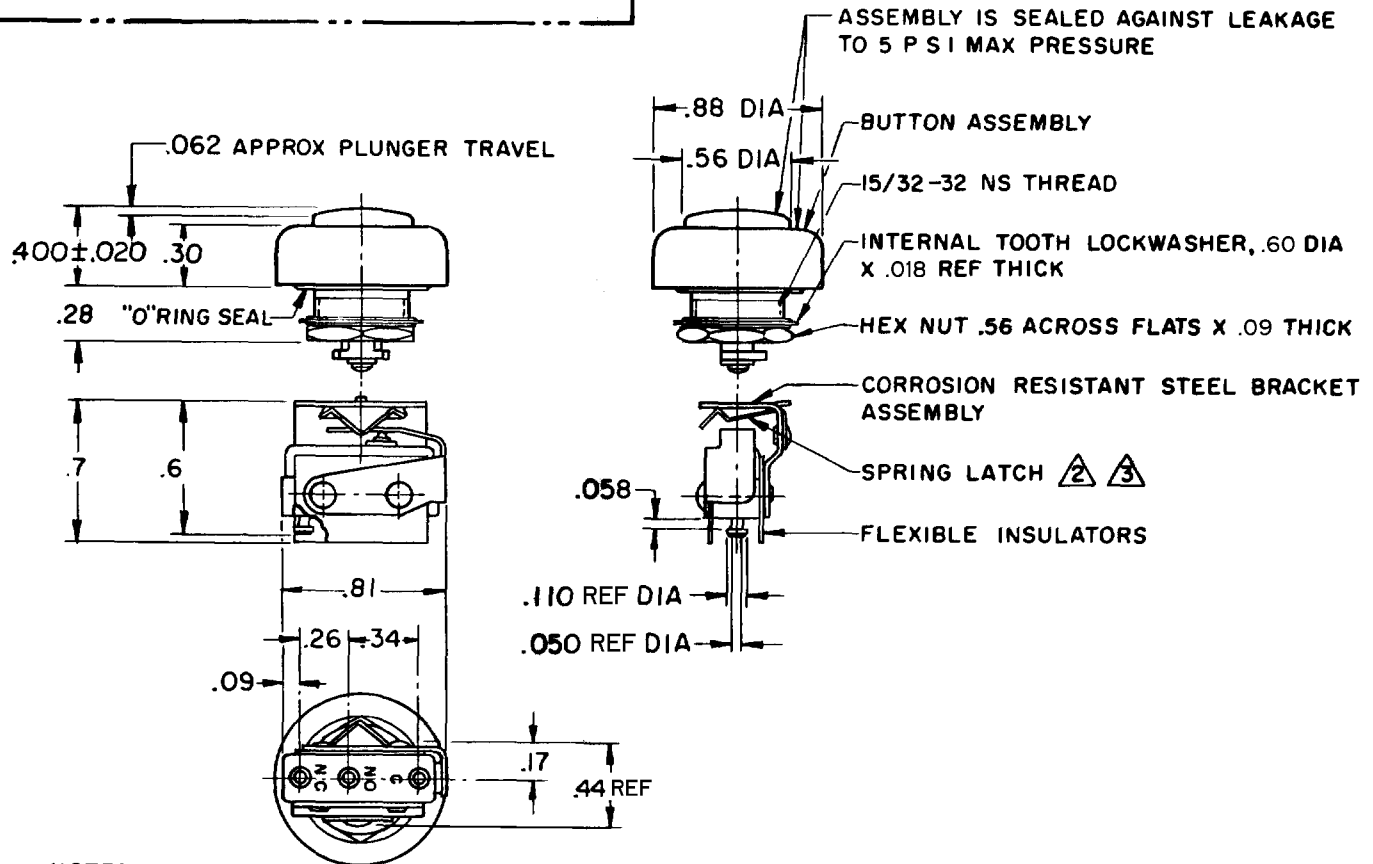
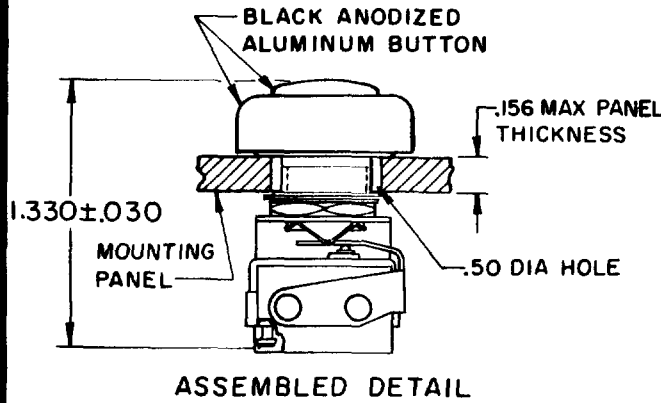


# MICRO SWITCH

FREERPORT ILLINOIS, U.S.A  
A DIVISION OF HONEYWELL  
FED. MFG. CODE 91929

# ASSEMBLY - PUSHBUTTON SWITCH

CATALOG LISTING  
**IPB403-T**



**NOTES**

- 1- UNIT INCLUDES CATALOG LISTING 11SM TYPE BASIC SWITCH
- 2 SPRING LATCH PERMITS ASSEMBLY AND DISASSEMBLY AS REQUIRED
- 3 "D" SHAPED HOLE IN SPRING LATCH PREVENTS ROTATION BETWEEN THE TWO PARTS
- 4- ASSEMBLY IS COMPLETED AFTER INSTALLING BUTTON TO PANEL
- 5- TERMINALS ARE PLATED FOR SOLDERING
- 6- BASIC SWITCH HAS 24K SOLID GOLD CONTACTS

THIS DRAWING COVERS A PROPRIETARY ITEM AND IS THE PROPERTY OF MICRO SWITCH, A DIVISION OF HONEYWELL. THIS DRAWING IS NOT TO BE COPIED OR USED WITHOUT THE APPROVAL OF MICRO SWITCH.

**CHARACTERISTICS**

OPERATING FORCE - - - - - 2 LB MAX

**ELECTRICAL DATA**

CONTACT ARRANGEMENT  
S P D T

30 VOLTS DC RATING

INDUCTIVE - - - - - SEA LEVEL - - - 1/2 AMP  
50,000 FT - - - 1/2 AMP  
RESISTIVE - - - - - SE LEVEL - - - 1 AMP  
50,000 FT - - - 1 AMP  
MAXIMUM INRUSH - - - - - 2 AMP

SCALE FULL

DO NOT SCALE PRINT

UNLESS OTHERWISE NOTED

DIMENSIONS ARE IN INCHES  
**TOLERANCES ARE:**

ONE PLACE (.0) ± .030  
TWO PLACE (.00) ± .015  
THREE PLACE (.000) ± .005  
ANGLES ±

WEIGHT

IPB403-T

PAGE 1 OF 1

M

DRAWING NUMBER

ISSUE 2

**REVISIONS**

A C095143  
DLT  
15 JUL 99

REPLACES

PR-695

RELEASE NO.

CHECK

CHECK

6 MAY 69

DCS

CHECK

69

MBS 2 MAY 69

CHECK

FORMTEK

0-50378-1A

DRAWN