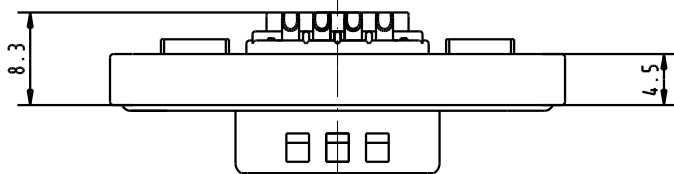
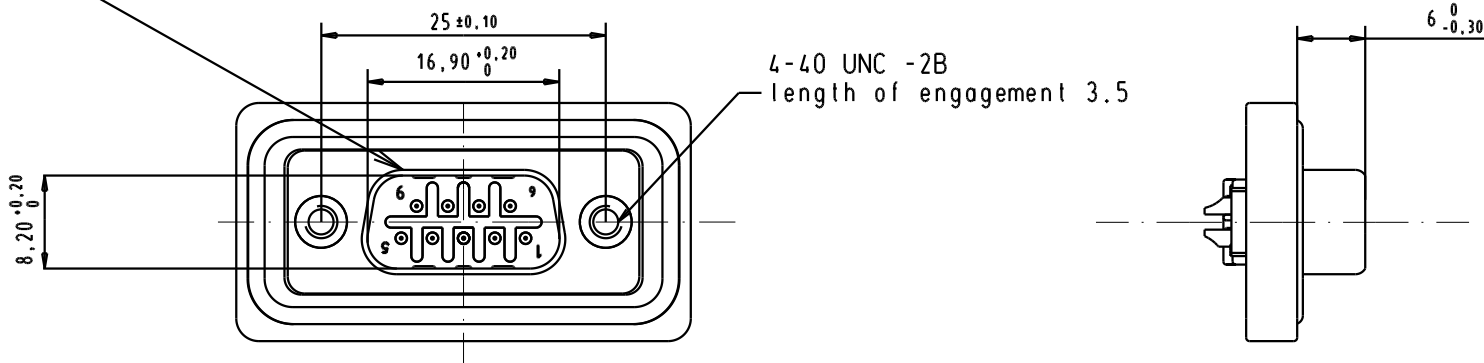
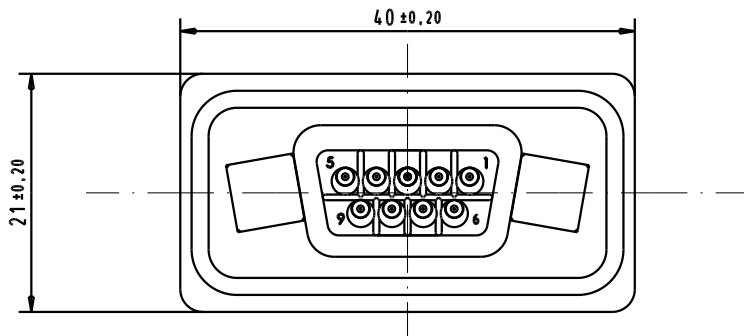


Mating face according to : MIL-C-24308 / DIN 41652 / CECC 75.01-802

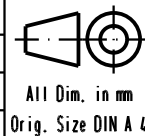


- 1) Protection standard IP 67 according to IEC 529 / DIN 40050.
- 2) Cable: AWG 20 max



09 67 609 7615	Au plating 0,76 µm mini
----------------	-------------------------

			Dat.	Name
			Detail.	10/10/03 S.H.
			Insp.	
			Stand.	



D-SUB IP67 male 9 Poles
straight solder cup with
4-40 UNC nut and
metal rear frame

Maßstab/
Scale

Part Number

Performance Level

31559	10/10/03	S.H
Mod.	Dat.	Name

HARTING ELEKTRONIK
F-95972 Paris



TB 09 67 609 7615

Blatt/ Page

Sub.